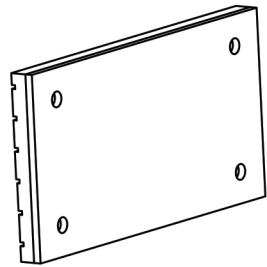
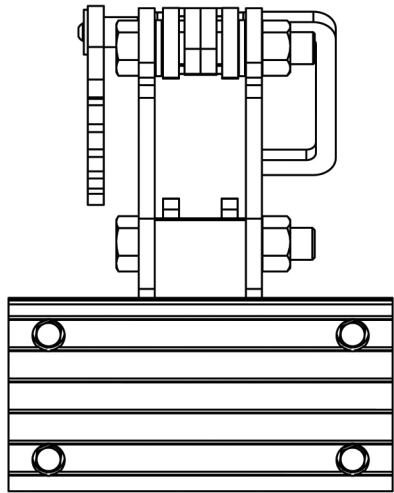
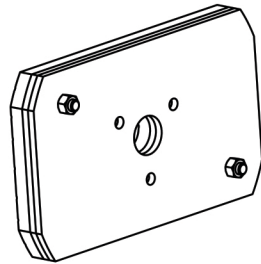
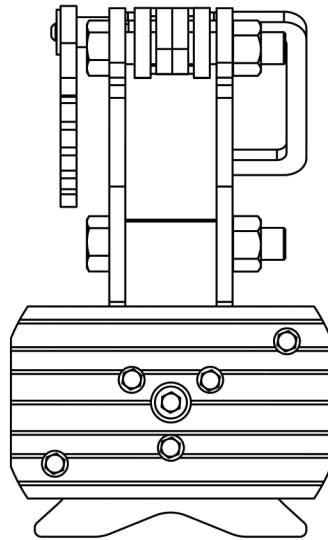


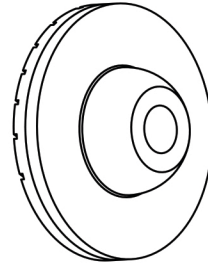
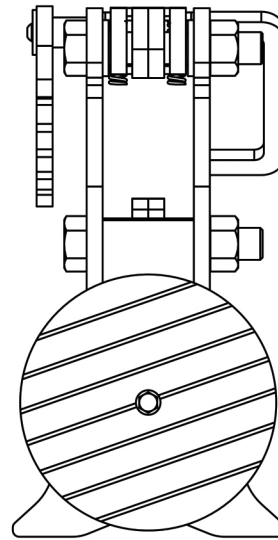
VERSION 1



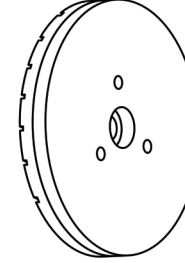
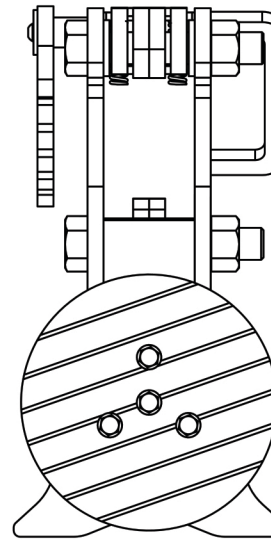
VERSION 2



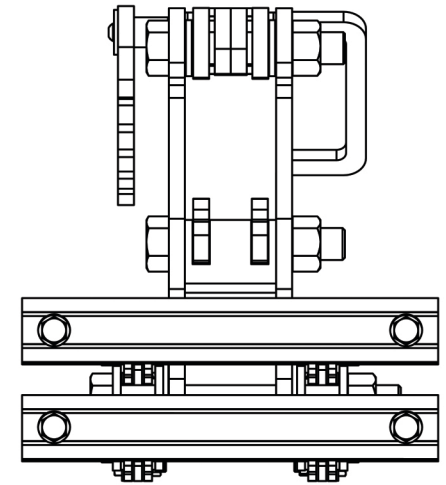
VERSION 3



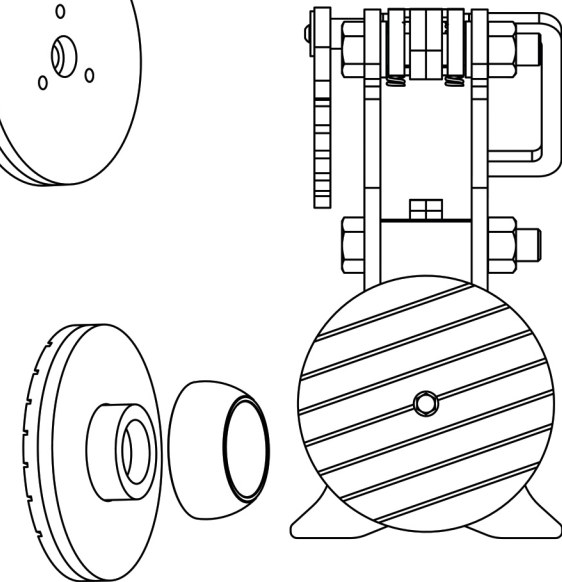
VERSION 4



VERSION 5  
(CUSTOM)



VERSION 6  
(NEWEST VERSION)



DRAWN BY:

J.Mastruserio

DATE:

1/29/2019



Attachment  
Solutions

KENCO CORP.  
170 STATE ROUTE 271  
LIGONIER PA 15658

(800)653-6069  
WWW.KENCO.COM

THE INFORMATION PROVIDED WITHIN THIS  
DRAWING IS THE PROPERTY OF KENCO CORP. ANY  
REPRODUCTION, TRANSMITTAL, OR USAGE OF ANY  
KIND IS PROHIBITED WITHOUT WRITTEN PERMISSION.

DIMS. = IN.

TOLERANCES:  
FRACT.: ±1/16  
ANG.: MACH±1°  
BEND ±1°  
DEC.: X.XX ±.03  
X.XXX ±.01

DESCRIPTION

ML8K PAD VERSIONS

REVISION

1

xxxxxx

DWG.

1