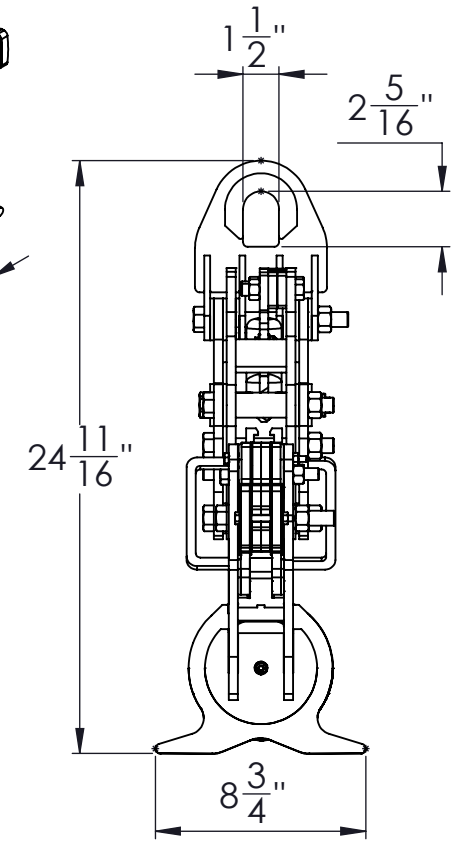
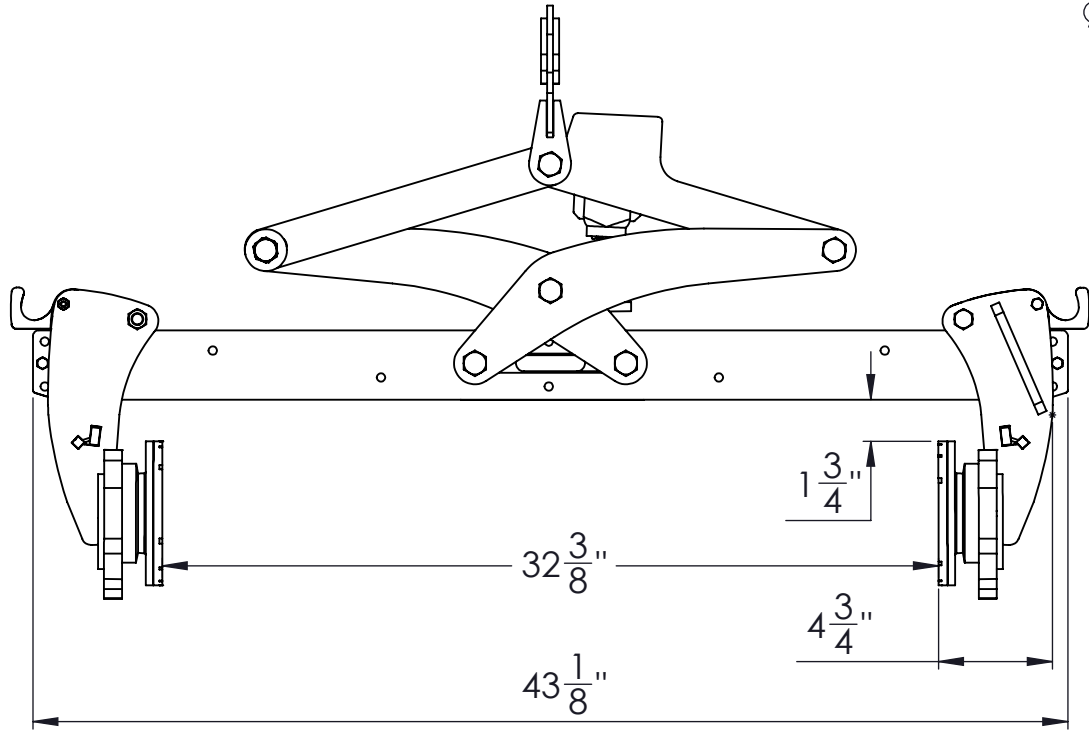
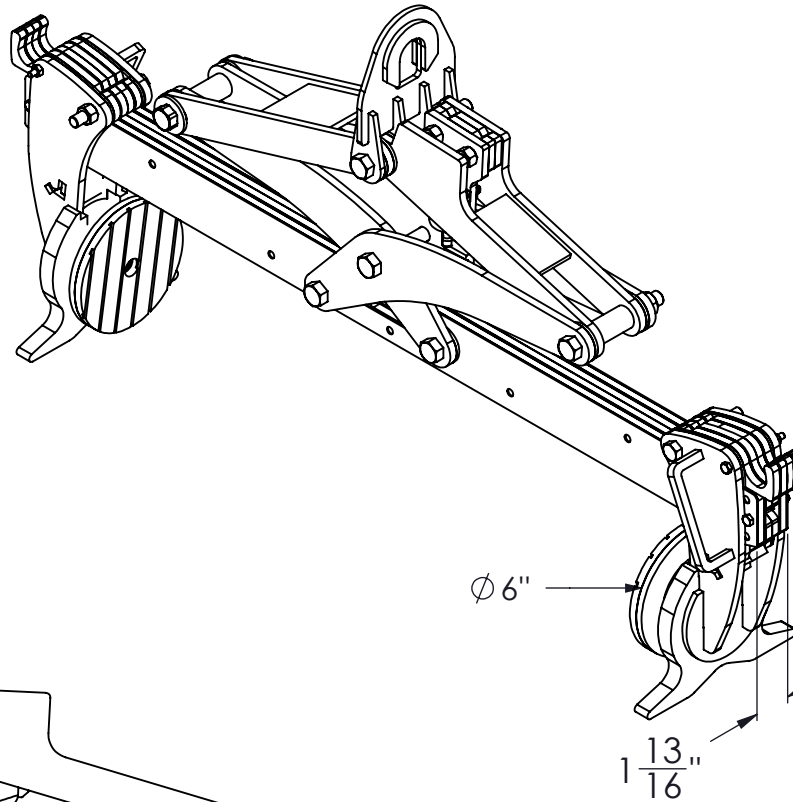


Kenco Multilift - ML3K5T32V1

CAPACITY: 3000LB
 RANGE: 5"-32"
 WEIGHT: ~140LB

BALL PADS CAN ACCOMMODATE SURFACES WITHIN +/- 24 DEGREES FROM PARALLEL (+/-12 PER SIDE)



DRAWN BY:
 J.Mastruserio
 DATE:
 5/18/16



KENCO CORP.
 170 STATE ROUTE 271
 LIGONIER PA 15658
 (800)653-6069
 WWW.KENCO.COM
 THE INFORMATION PROVIDED WITHIN THIS DRAWING IS THE PROPERTY OF KENCO CORP. ANY REPRODUCTION, TRANSMITTAL, OR USAGE OF ANY KIND IS PROHIBITED WITHOUT WRITTEN PERMISSION.

DIMS. = IN.
 TOLERANCES:
 FRACT.: ±1/16
 ANG.: MACH±1°
 BEND ±1°
 DEC.: X.XX ±.03
 X.XXX ±.01

DESCRIPTION
 ML3K5T32V1

REVISION	
1	xxxxxx
DWG.	
1	