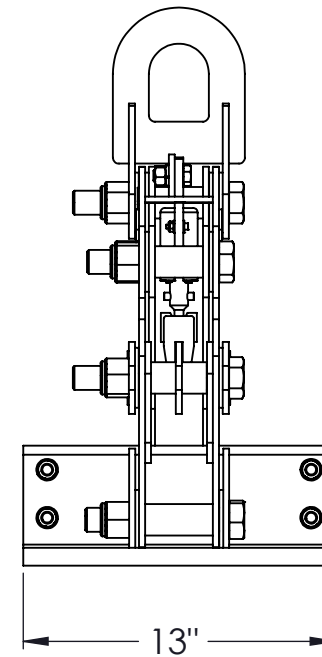
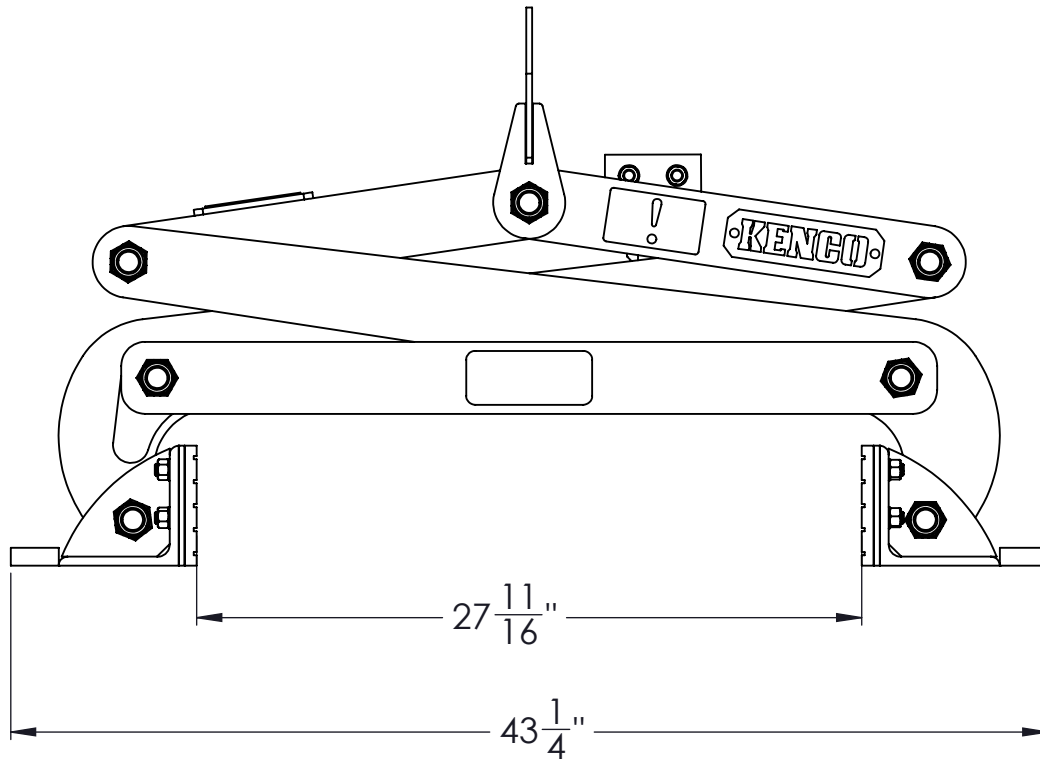
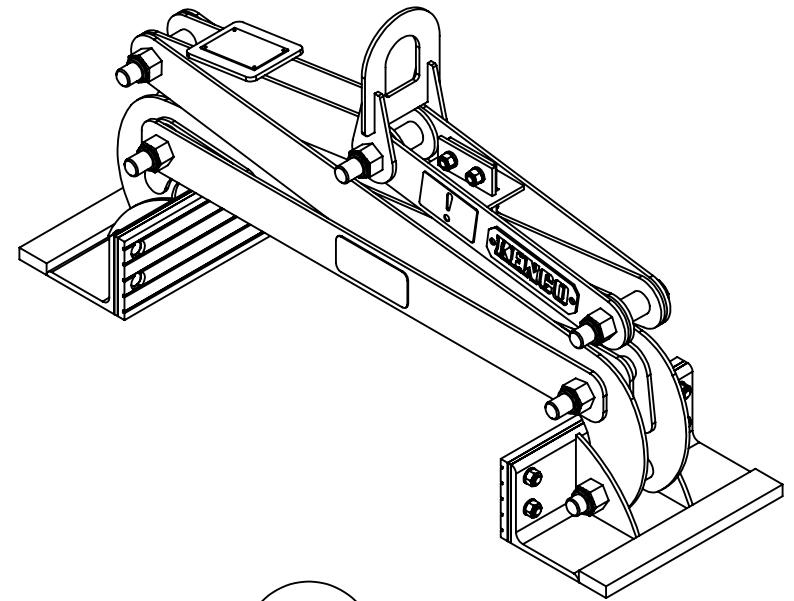


Capacity: 1,600 lbs.  
 Usage: 24 to 26" Square Faced Blocks  
 Weight: Approx. 165 lbs  
 Pads: 4 x 13" Urethane  
 Actuator: Small



DRAWN BY:  
 T. FREIDHOFF  
 DATE:  
 5/14/20



KENCO CORP.  
 170 STATE ROUTE 271  
 LIGONIER PA 15658  
 (800)653-6069  
 WWW.KENCO.COM  
 THE INFORMATION PROVIDED WITHIN THIS DRAWING IS THE PROPERTY OF KENCO CORP. ANY REPRODUCTION, TRANSMITTAL, OR USAGE OF ANY KIND IS PROHIBITED WITHOUT WRITTEN PERMISSION.

DIMS. = IN.  
 TOLERANCES:  
 FRACT.: ±1/16  
 ANG.: MACH±1°  
 BEND ±1°  
 DEC.: X.XX ±.03  
 X.XXX ±.01

DESCRIPTION  
 CSL16C24T26  
 Spec Sheet

REVISION	
1	xxxxxx
DWG.	
1	