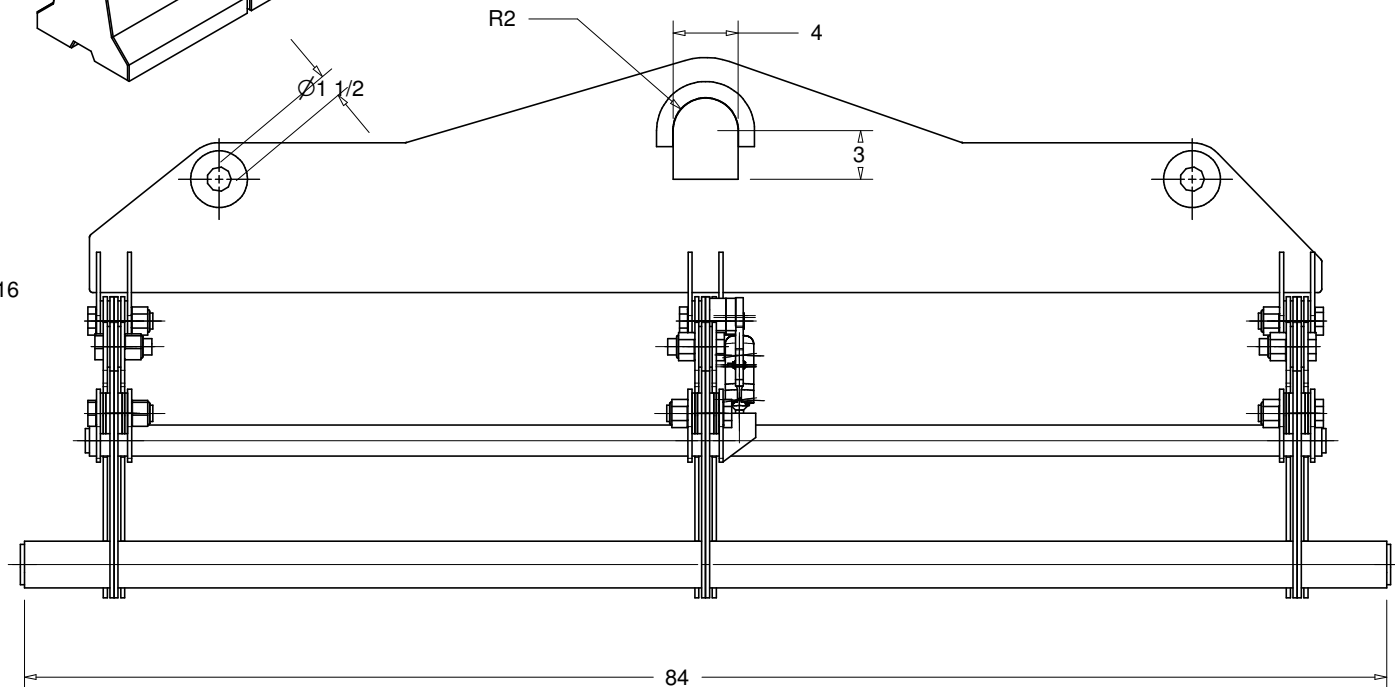
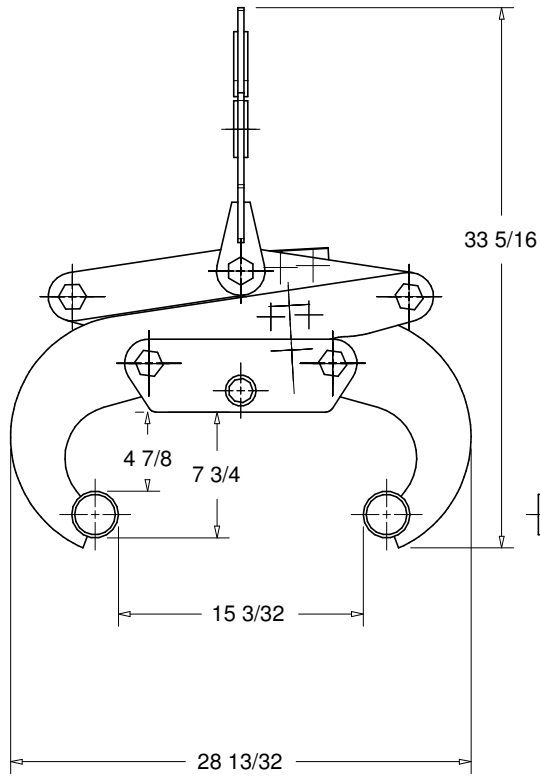
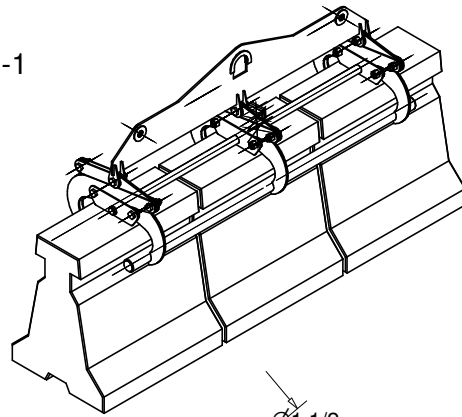


DESIGNED AND MANUFACTURED
 IN ACCORDANCE WITH THE CURRENT
 VERSIONS OF ANSI/ASME B30.20 AND BTH-1



CAN BE MODIFIED TO CUSTOMER'S SPECIFICATION

DRAWN BY:
 G. CVEYKUS
 DATE:
 11/14/2019



KENCO CORP.
 170 STATE ROUTE 271
 LIGONIER PA 15658

(800)653-6069
 WWW.KENCO.COM

THE INFORMATION PROVIDED WITHIN THIS
 DRAWING IS THE PROPERTY OF KENCO CORP. ANY
 REPRODUCTION, TRANSMITTAL, OR USAGE OF ANY
 KIND IS PROHIBITED WITHOUT WRITTEN PERMISSION.

DIMS. = IN.
 TOLERANCES:
 FRACT.: $\pm 1/16"$
 ANG.: MACH $\pm 1^\circ$
 BEND $\pm 1^\circ$
 DEC.: X.XX $\pm .03$
 X.XXX $\pm .01$

DESCRIPTION
 KL6KTWALL
 6000 LB CAP.
 UNIT WEIGHT 400 LBS.

REVISION	
1	DWG.
1	