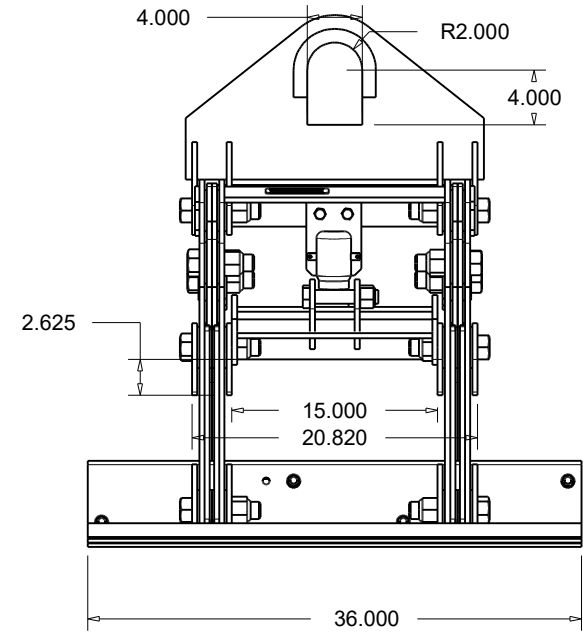
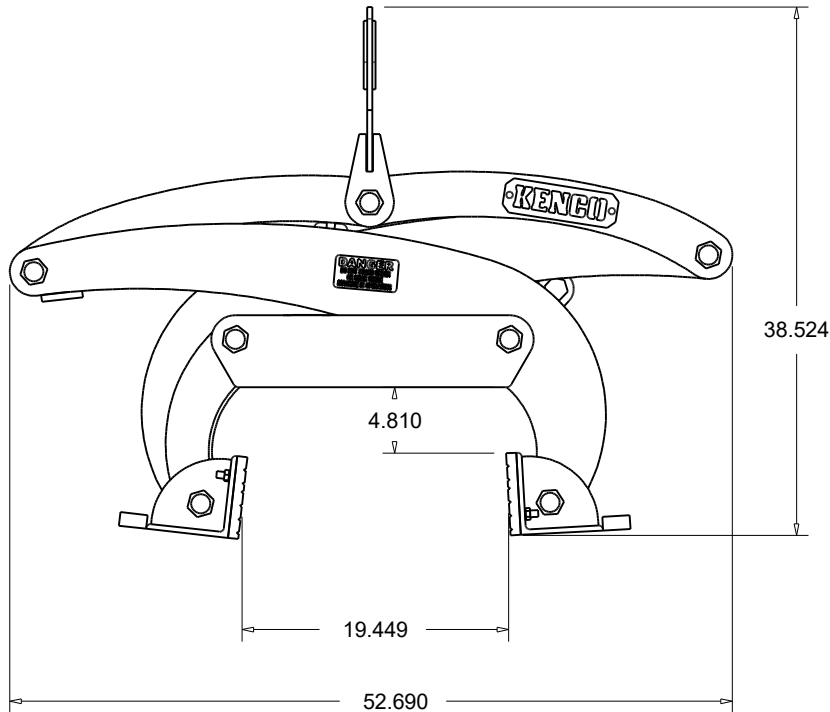
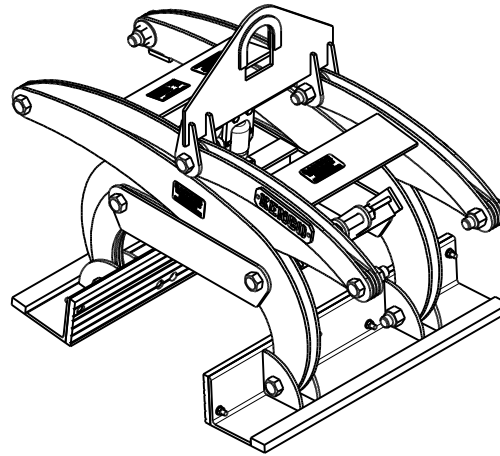



KL16NG8T18
 8" TO 18" GRIP RANGE
 16000 MAX CAPACITY
 UNIT WEIGHT 850 LB.
 MANUFACTURED IN ACCORDANCE WITH
 THE LATES REVISIONS OF
 ASME B30.20 AND BTH-1



DRAWN BY:	 Attachment Solutions
GC	
DATE:	

KENCO CORP.
 170 STATE ROUTE 271
 LIGONIER PA 15658

(800)653-6069
 WWW.KENCO.COM

THE INFORMATION PROVIDED WITHIN THIS DRAWING IS THE PROPERTY OF KENCO CORP. ANY REPRODUCTION, TRANSMITTAL, OR USAGE OF ANY KIND IS PROHIBITED WITHOUT WRITTEN PERMISSION.

DIMS. = IN.

TOLERANCES:

FRACT.: $\pm 1/16"$

ANG.: MACH $\pm 1^\circ$
 BEND $\pm 1^\circ$

DEC.: X.XX $\pm .03$
 X.XXX $\pm .01$

DESCRIPTION

KL16NG8T18
 GENERAL ARRANGMENT

REVISION	
1	DWG.
1	