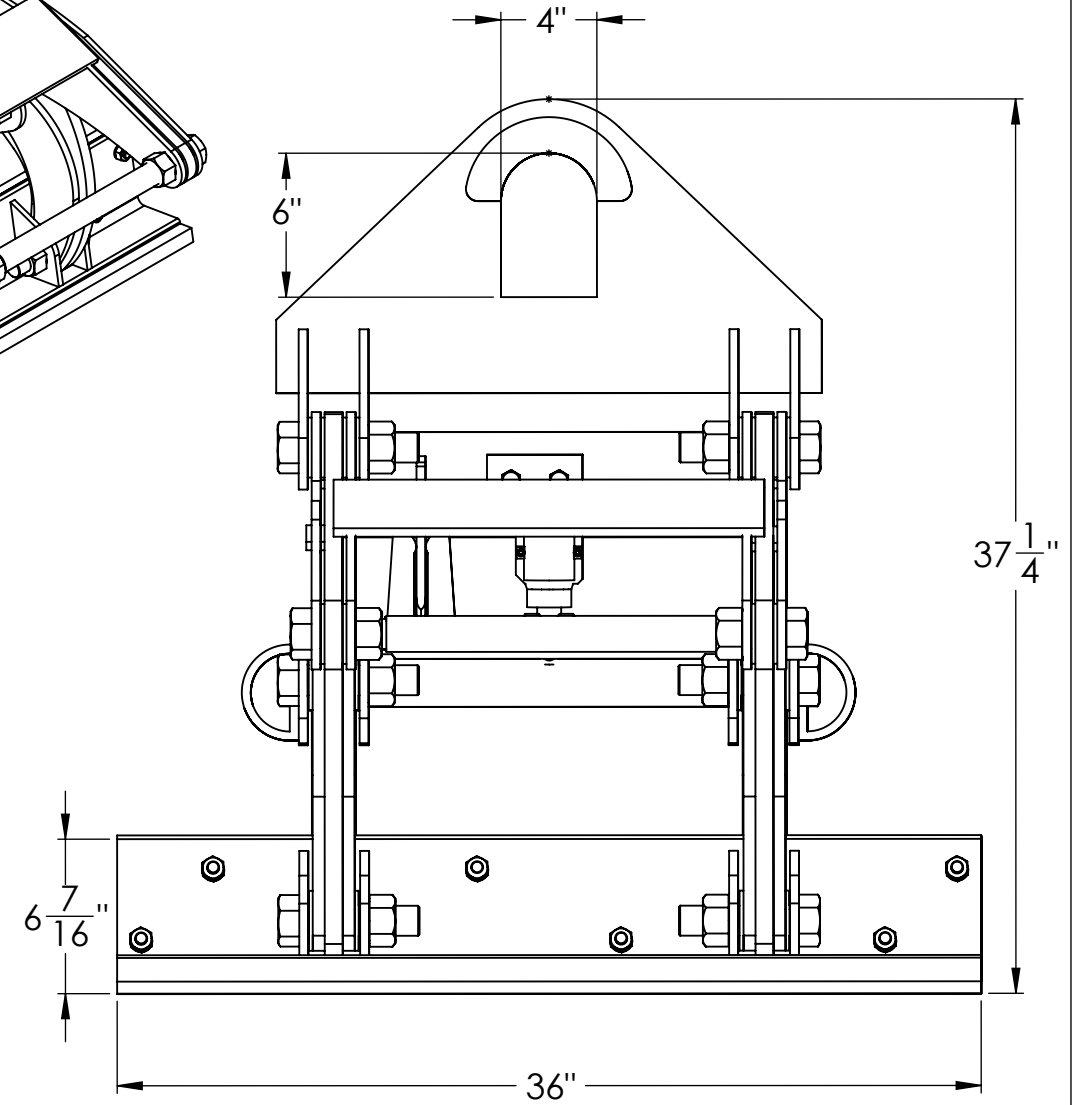
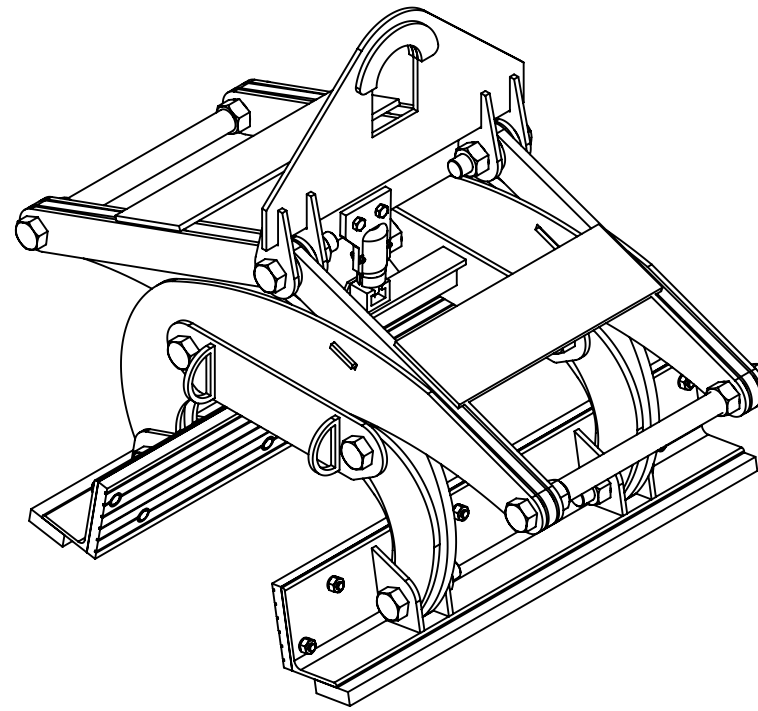
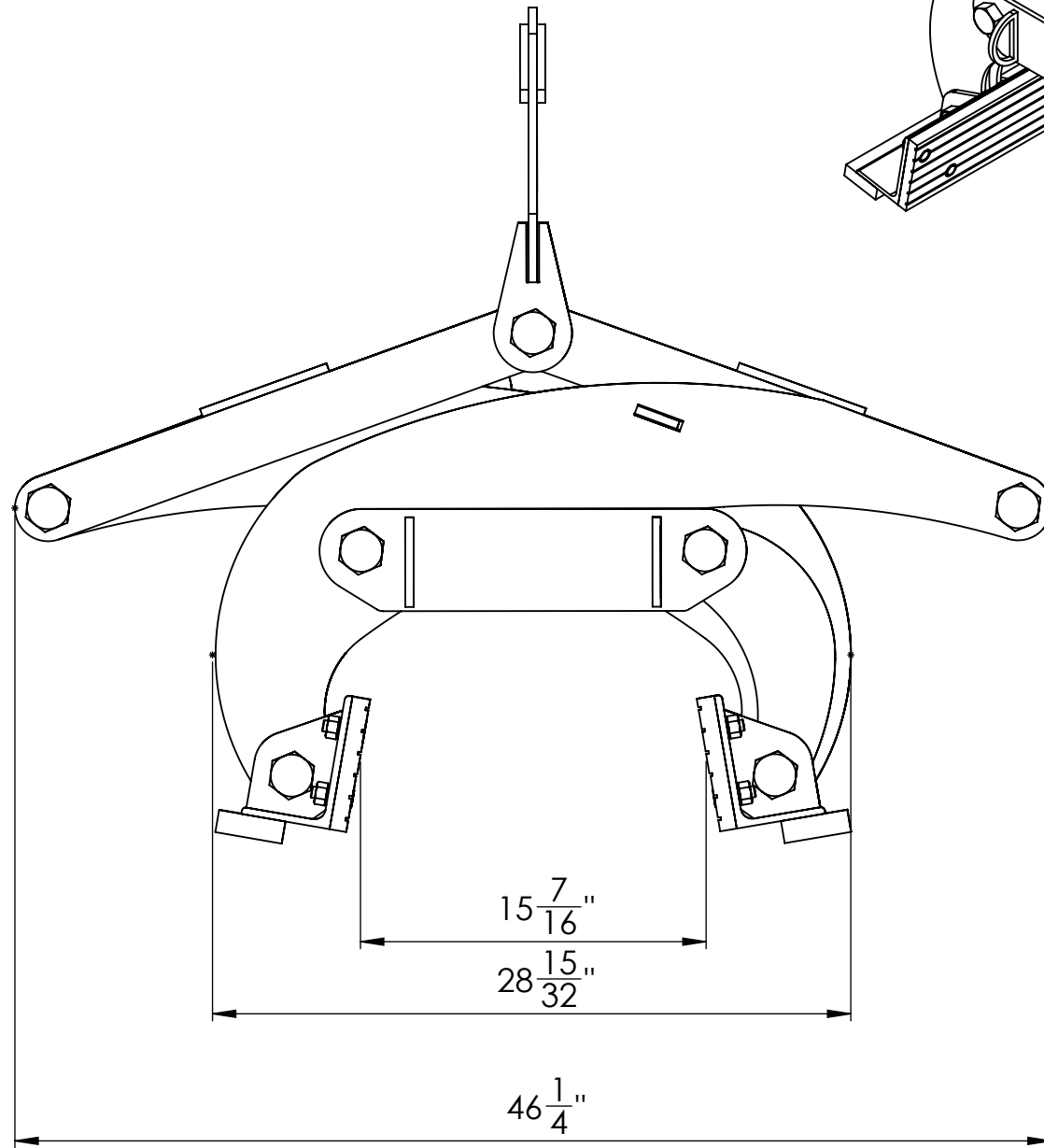


WEIGHT: ~700LBS
 RANGE: 4"-12"
 CAPACITY: 16,000LBS



DRAWN BY:
 J. Mastruserio
 DATE:
 9/15/2015



KENCO CORP.
 170 STATE ROUTE 271
 LIGONIER PA 15658

(800)653-6069
 WWW.KENCO.COM

THE INFORMATION PROVIDED WITHIN THIS DRAWING IS THE PROPERTY OF KENCO CORP. ANY REPRODUCTION, TRANSMITTAL, OR USAGE OF ANY KIND IS PROHIBITED WITHOUT WRITTEN PERMISSION.

DIMS. = IN.
 TOLERANCES:
 FRACT.: ±1/16
 ANG.: MACH±1°
 BEND ±1°
 DEC.: X.XX ±.03
 X.XXX ±.01

DESCRIPTION
 KL16K4T12V2

REVISION	
1	xxxxxxx
DWG.	
XX	