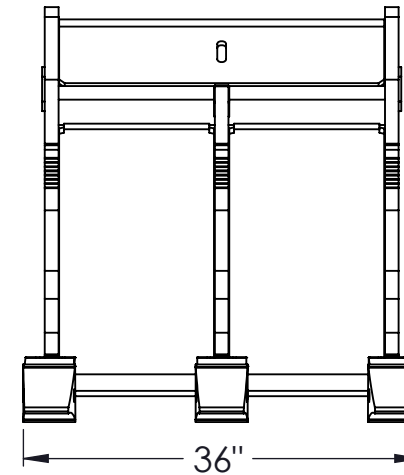
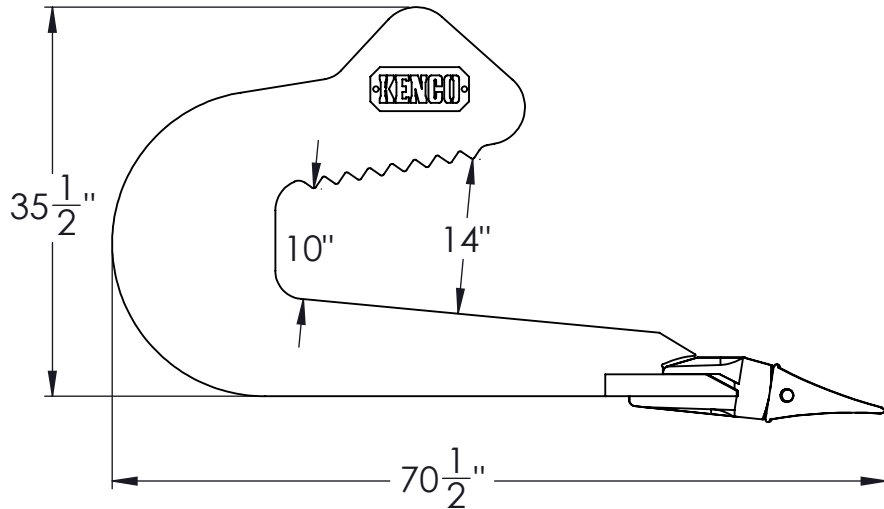


-Weight as Shown: Approx. 1950Lbs.
 -Usage: 4-12" Slabs
 -Tooth: 9W8452
 Pin: 114-0468
 Retainer: 107-3469



DRAWN BY:
 T. FREIDHOFF
 DATE:
 2/26/20



KENCO CORP.
 170 STATE ROUTE 271
 LIGONIER PA 15658

(800)653-6069
 WWW.KENCO.COM

THE INFORMATION PROVIDED WITHIN THIS DRAWING IS THE PROPERTY OF KENCO CORP. ANY REPRODUCTION, TRANSMITTAL, OR USAGE OF ANY KIND IS PROHIBITED WITHOUT WRITTEN PERMISSION.

DIMS. = IN.

TOLERANCES:
 FRACT.: ±1/16
 ANG.: MACH±1°
 BEND ±1°
 DEC.: X.XX ±.03
 X.XXX ±.01

DESCRIPTION

36SC300RT12
 Spec. Sheet

REVISION	
1	Spec.
DWG.	
1	