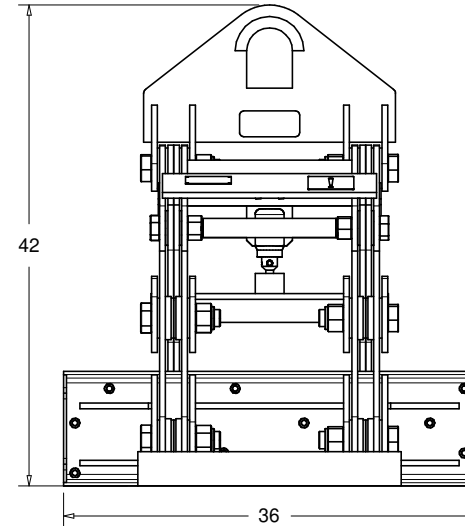
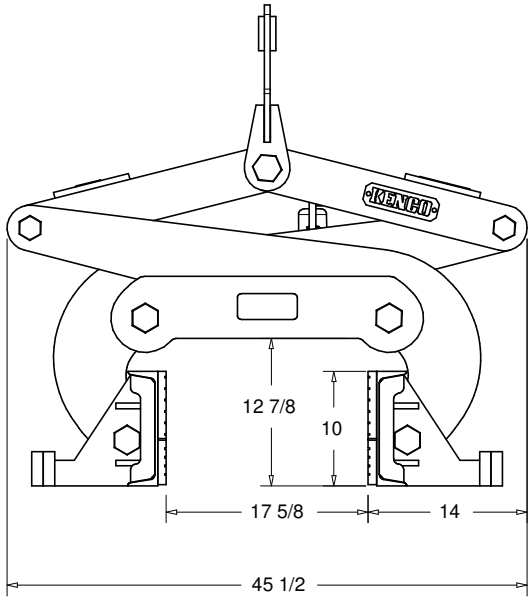


Model: KL30K6T12  
 Weight: Approx. 1150lbs.  
 Capacity: 30,000lbs.  
 Grip Range: 6"-12"  
 Automatic Actuator: Large  
 Elastomer Pads: (2) @ 4"x36"  
 (2) @ 6"x36"



				REVISION			
DRAWN BY:		KENCO CORP. 170 STATE ROUTE 271 LIGONIER PA 15658	(800)653-6069 WWW.KENCO.COM	DIMS. = IN.	DESCRIPTION	1	
T. FREIDHOFF				TOLERANCES:	KL30K6T12 Spec. Sheet		
DATE:				FRACT.: ±1/16" ANG.: MACH ±1° BEND ±1°		1	
11/5/19				DEC.: X.XX ±.03 X.XXX ±.01			
THE INFORMATION PROVIDED WITHIN THIS DRAWING IS THE PROPERTY OF KENCO CORP. ANY REPRODUCTION, TRANSMITTAL, OR USAGE OF ANY KIND IS PROHIBITED WITHOUT WRITTEN PERMISSION.							