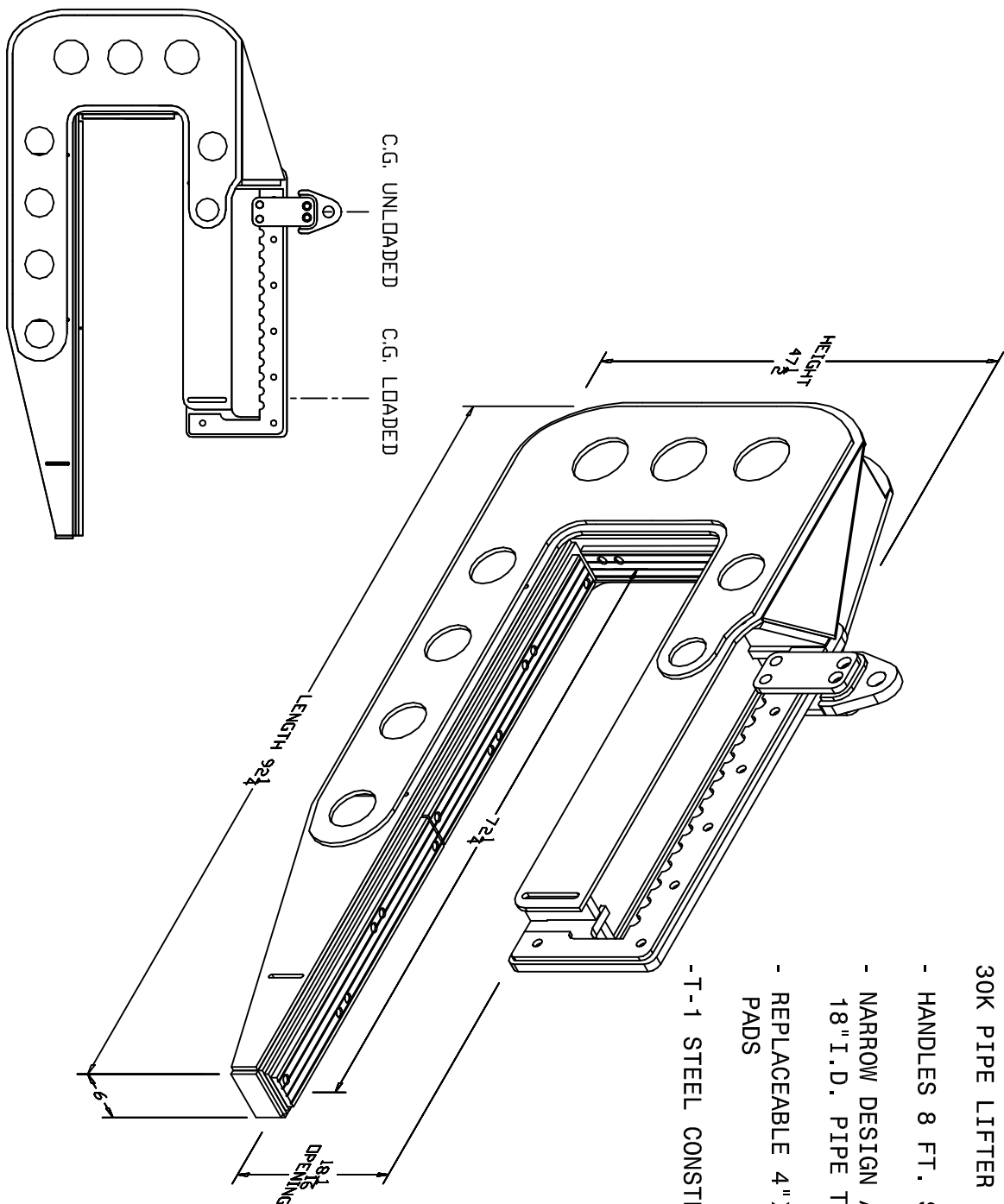
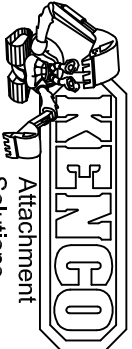


**30K PIPE LIFTER**

- HANDLES 8 FT. SECTIONS OF PIPE
- NARROW DESIGN ACCOMMODATES 18" I.D. PIPE TO 30,000 LB PIPE
- REPLACEABLE 4"X36" URETHANE GRIPPING PADS
- T-1 STEEL CONSTRUCTION



DRAWN BY: Brad Shurina		KENCO CORP. 170 STATE ROUTE 271 LIGONIER PA 15658		(800)653-6069		WWW.KENCO.COM		WEIGHT 1420 LB		DESCRIPTION 30K PIPE LIFTING DEVICE		PART NO. 009-030-001	
DATE: 12-30-2004				<p>THE INFORMATION PROVIDED WITHIN THIS DRAWING IS THE PROPERTY OF KENCO CORP. ANY REPRODUCTION, TRANSMITTAL, OR USAGE OF ANY KIND IS PROHIBITED WITHOUT WRITTEN PERMISSION.</p>		CAPACITY 18000 LB				REVISION			