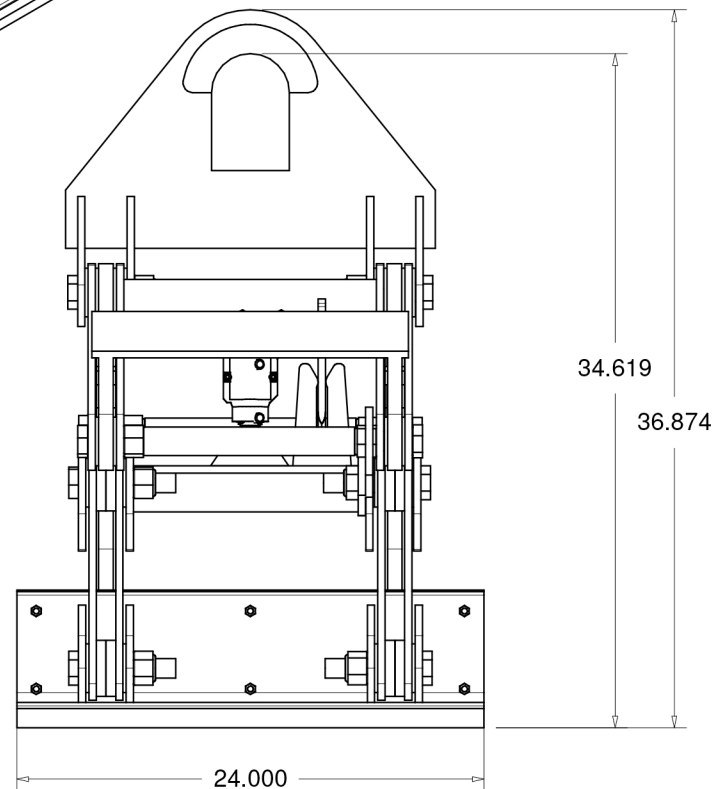
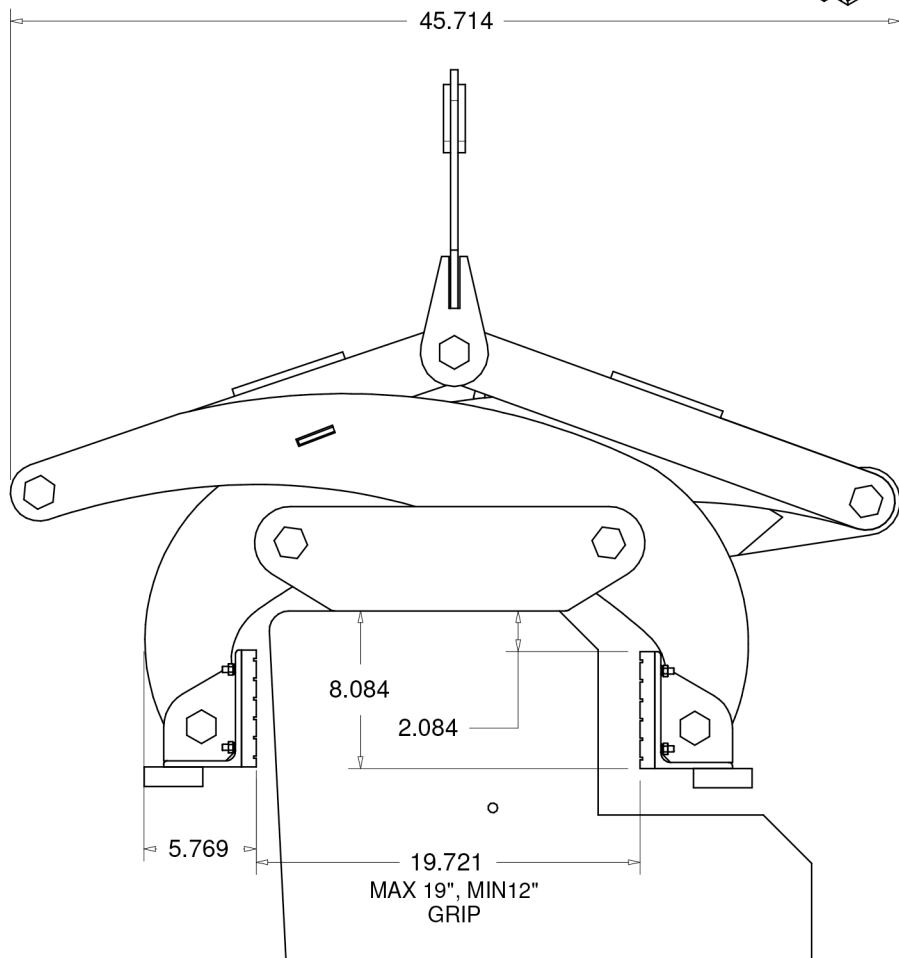
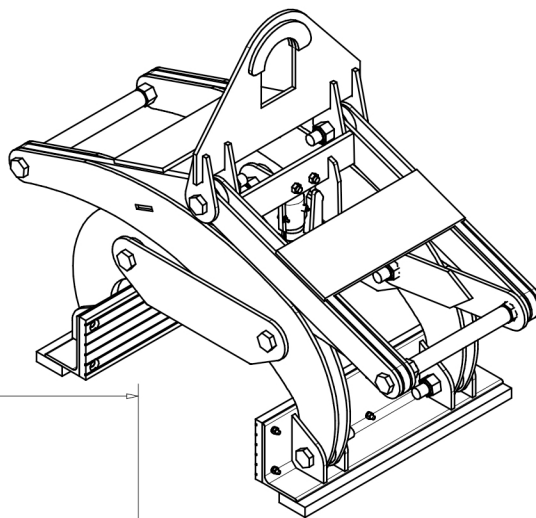


DESIGNED, MANUFACTURED AND TESTED IN ACCORDANCE WITH THE LATEST REVISIONS OF ANSI/ASME B30.20 and BTH-1

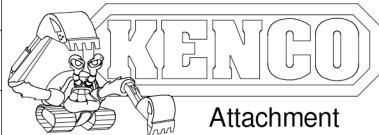


DRAWN BY:

G. CVEYKUS

DATE:

12/24/2013



KENCO CORP.
170 STATE ROUTE 271
LIGONIER PA 15658

(800)653-6069
WWW.KENCO.COM

THE INFORMATION PROVIDED WITHIN THIS DRAWING IS THE PROPERTY OF KENCO CORP. ANY REPRODUCTION, TRANSMITTAL, OR USAGE OF ANY KIND IS PROHIBITED WITHOUT WRITTEN PERMISSION.

DIMS. = IN.

TOLERANCES:

FRACT.: $\pm 1/16"$
ANG.: MACH $\pm 1^\circ$
BEND $\pm 1^\circ$
DEC.: X.XX ± 0.03
X.XXX ± 0.01

DESCRIPTION

KL9K12T19 FLL
FLORIDA LOW PROFILE
9000 LB. MAX CAP.

REVISION

1

DWG.

1