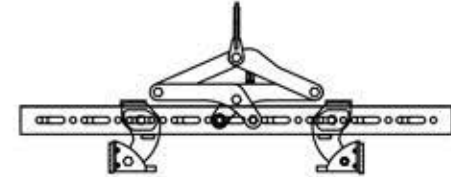
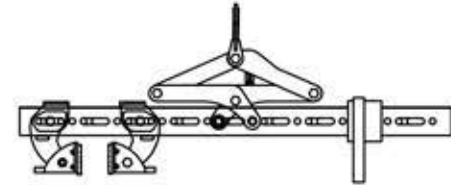


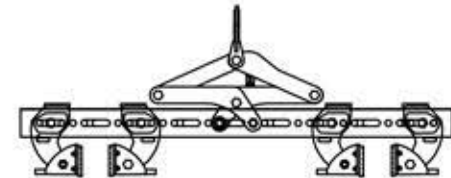
SHORTENED SPINE(S) AVAILABLE



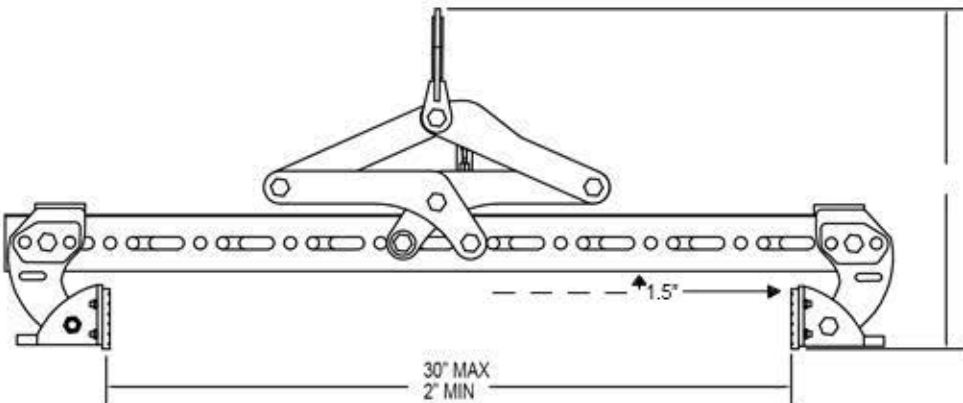
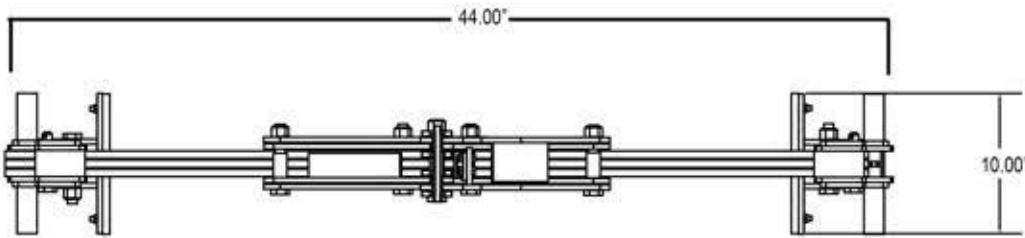
CAN BE CONFIGURED TO GRIP INSIDE-OUT



COUNTERWEIGHTED FOR 'L' SHAPES




MULTIPLES OF PADS FOR
EDGE GRIPPING OF OPEN BOX SHAPES



ACTUATOR: SMALL
PAD SIZE: 4 inches X 10 inches

AUTOMATIC LATCH/UNLATCH OPERATION
CUSTOM UNITS/CAPACITIES AVAILABLE
CUSTOM PAD/LOAD ENGAGEMENT AVAILABLE

DRAWN BY	 KENCO Attachment Solutions	KENCO CORPORATION 170 STATE ROUTE 271, LIGONIER, PA 15658 www.kenco.com 1-888-4-ATTACH THE INFORMATION PROVIDED WITHIN THIS DRAWING IS THE PROPERTY OF KENCO CORPORATION. ANY REPRODUCTION, TRANSMITTAL OR USAGE OF ANY KIND IS PROHIBITED WITHOUT WRITTEN PERMISSION.	WEIGHT: APP. 105 LBS.	DESCRIPTION MULTILIFT ML3000 ML3K30	PART NO.
G.CVEYKUS			CAPACITY: 3000		XXXXXXX
DATE			MAX. PRESSURE: N/A PSI		NEXT ASSY
5/4/2005					N/A