

KENCO - BIN BLOCK LIFTER

CAPACITY: 6,000 LBS

RANGE: 24-30" WIDE CONCRETE BLOCKS

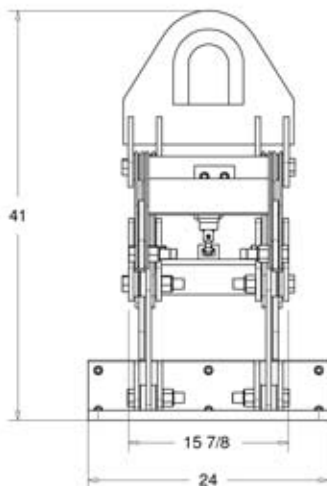
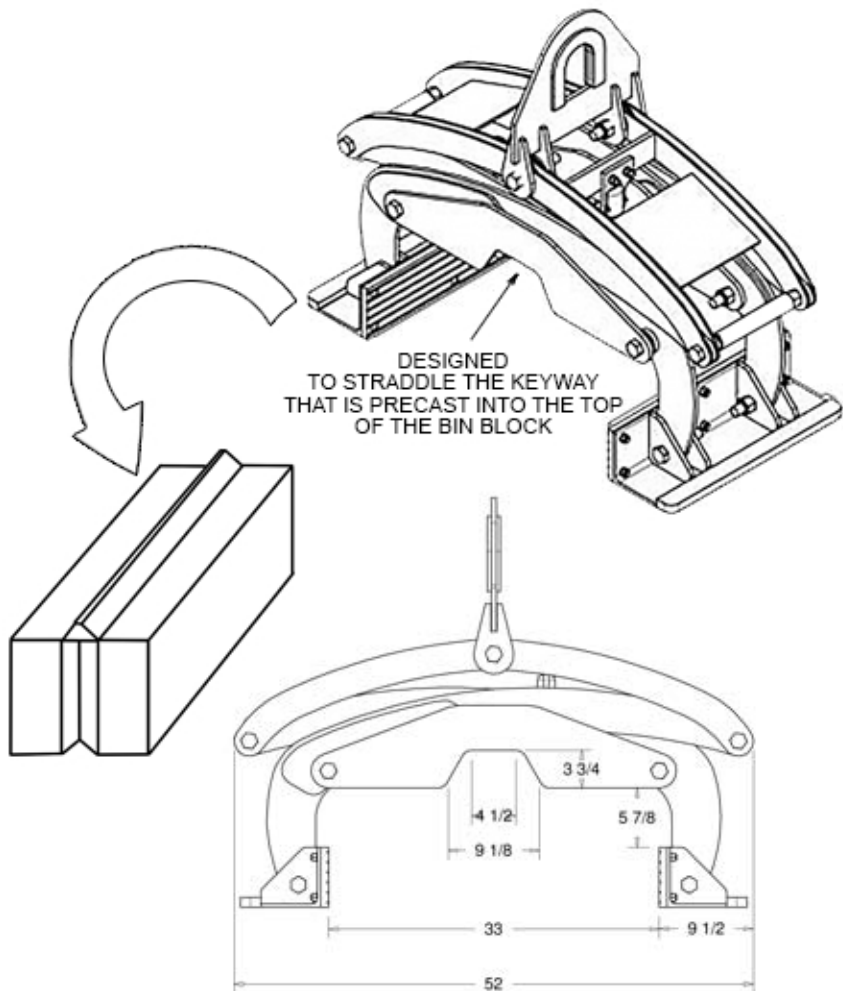
WITH 3" HIGH RAISED AREA

CENTERED ACROSS LENGTH

UNIT WEIGHT: APPROX. 650 LBS

AUTOMATIC ACTUATOR

6" X 24" URETHANE PADS



DRAWN BY:

T. FREIDHOFF

DATE

4/14/11



KENCO CORP.
170 STATE ROUTE 271
LIGONIER PA 15658

(800)653-6069
WWW.KENCO.COM

THE INFORMATION PROVIDED WITHIN THIS DRAWING IS THE PROPERTY OF KENCO CORP. ANY REPRODUCTION, TRANSMITTAL, OR USAGE OF ANY KIND IS PROHIBITED WITHOUT WRITTEN PERMISSION.

DIMS. = IN.

TOLERANCES:

FRACT.: ±1/16"

ANG.: MACH ±1°

BEND ±1°

DEC.: X.XX ±.03

X.XXX ±.01

DESCRIPTION

BLK8K24T30
BIN BLOCK LIFTER

REVISION

1

DWG.

1