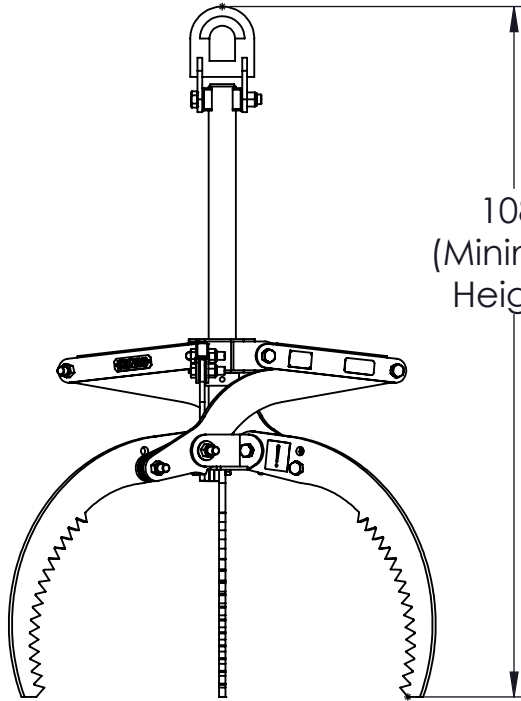


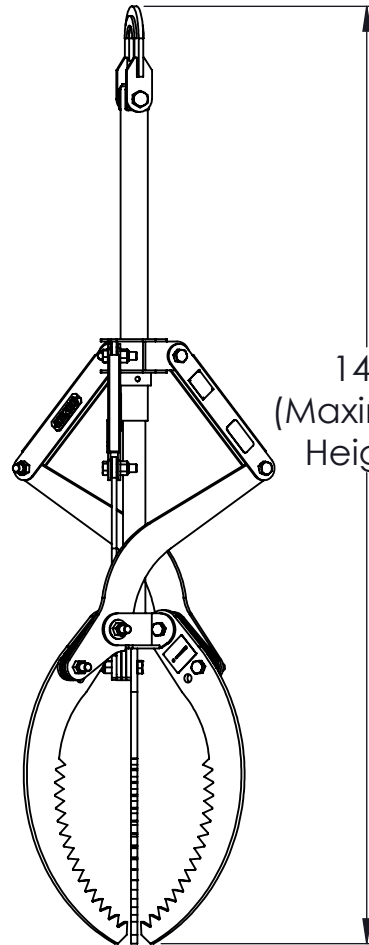
Maximum Lifter Perimeter:
60" Small Setting
76-1/2" Large Setting

Capacity: 12000lbs.
Weight: Approx. 880lbs.
Working Range: Up to 60" (Spherical)



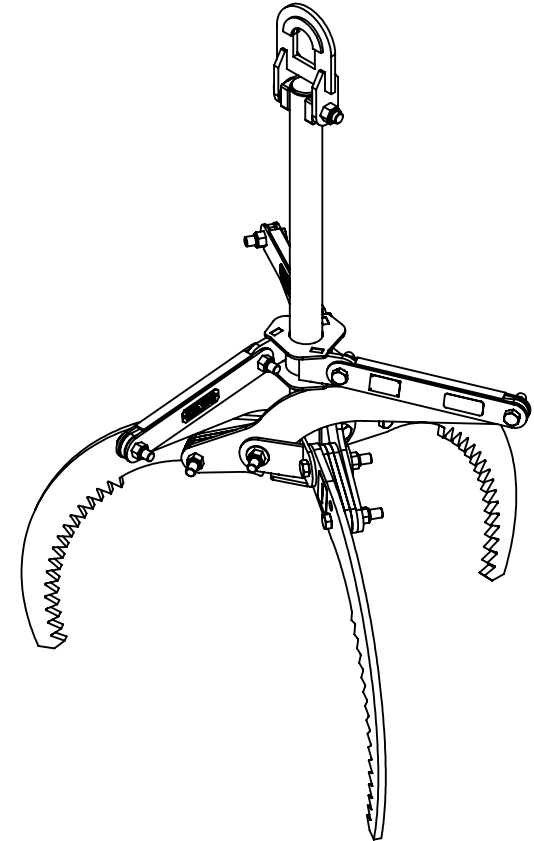
108"
(Minimum Height)

Maximum Opening:
40" Small Setting
64-3/4" Large Setting



147"
(Maximum Height)

Minimum Opening:
3" Small Setting
30-1/2" Large Setting



Attachment
Solutions

KENCO CORP.
170 STATE ROUTE 271
LIGONIER PA 15658

(800)653-6069
WWW.KENCO.COM

THE INFORMATION PROVIDED WITHIN THIS
DRAWING IS THE PROPERTY OF KENCO CORP. ANY
REPRODUCTION, TRANSMITTAL, OR USAGE OF ANY
KIND IS PROHIBITED WITHOUT WRITTEN PERMISSION.

DIMS. = IN.

TOLERANCES:
FRACT.: ±1/16
ANG.: MACH±1°
BEND ±1°
DEC.: X.XX ±.03
X.XXX ±.01

DESCRIPTION

MG12K24T60V4
Spec. Sheet

REVISION

1

xxxxxx

DWG.

XX

DRAWN BY:

T. FREIDHOFF

DATE:

5/12/16