

KENCO LIFTING ATTACHMENTS

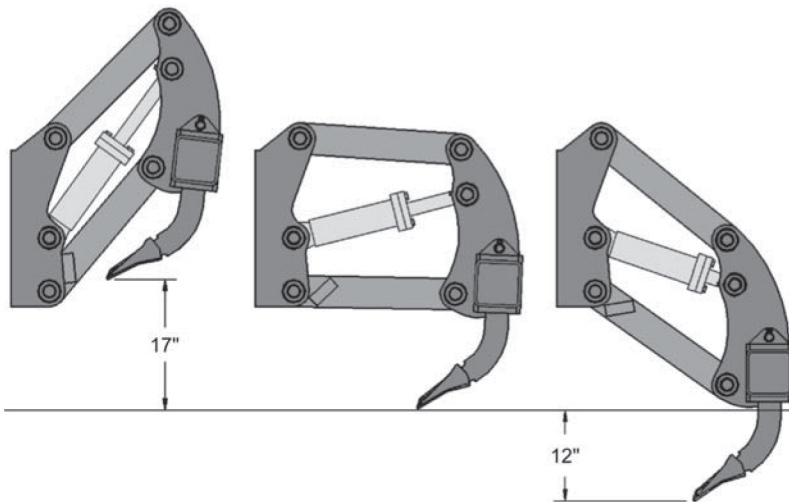
TOLL FREE: 1-800-653-6069

www.kenco.com

email: sales@kenco.com

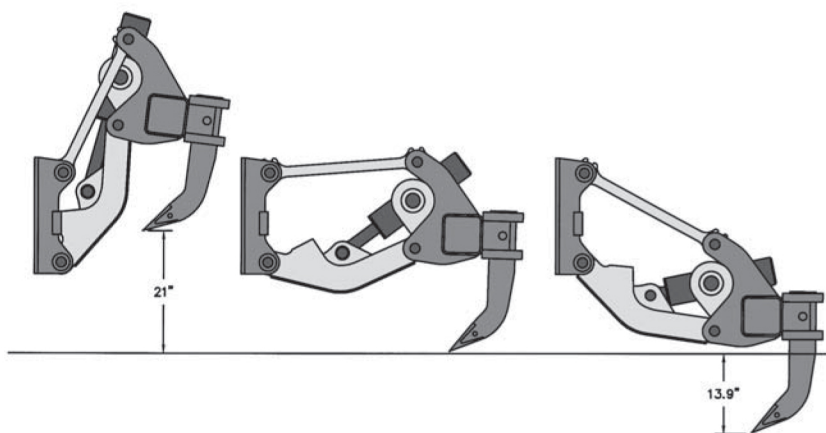
DOZER RIPPER

FEATURES AND SPECIFICATIONS



PARALLELOGRAM RIPPER

- 2 cylinders
- 12" maximum digging depth
- 17" Maximum ground clearance
- Maximum departure angle: LT/LGP 43°
- STD track 35°
- 3 shanks
- 63" ripping width
- 850 lbs
- 8,090 lbs of penetration force
- 16,953 pryout force
- 5 pockets



HEAVY DUTY PARALLELOGRAM RIPPER

- 1 cylinder
- 13.9" maximum digging depth
- 21" maximum ground clearance
- 43° maximum departure angle
- 3 shanks
- 63" ripping width
- 1,350 lbs (complete with 3 shanks)
- 10,508 lbs of penetration force
- 14,012 pryout force
- 5 pockets