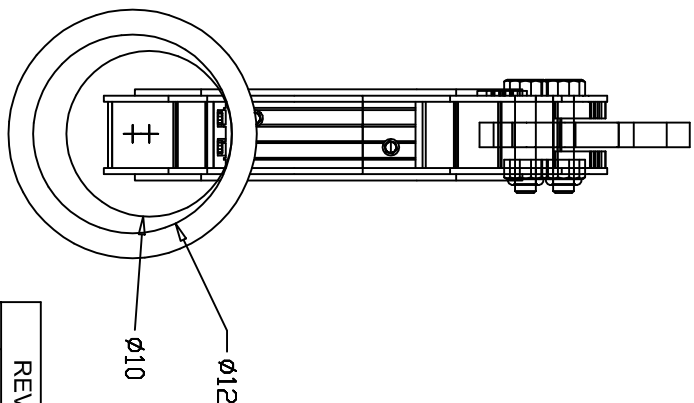
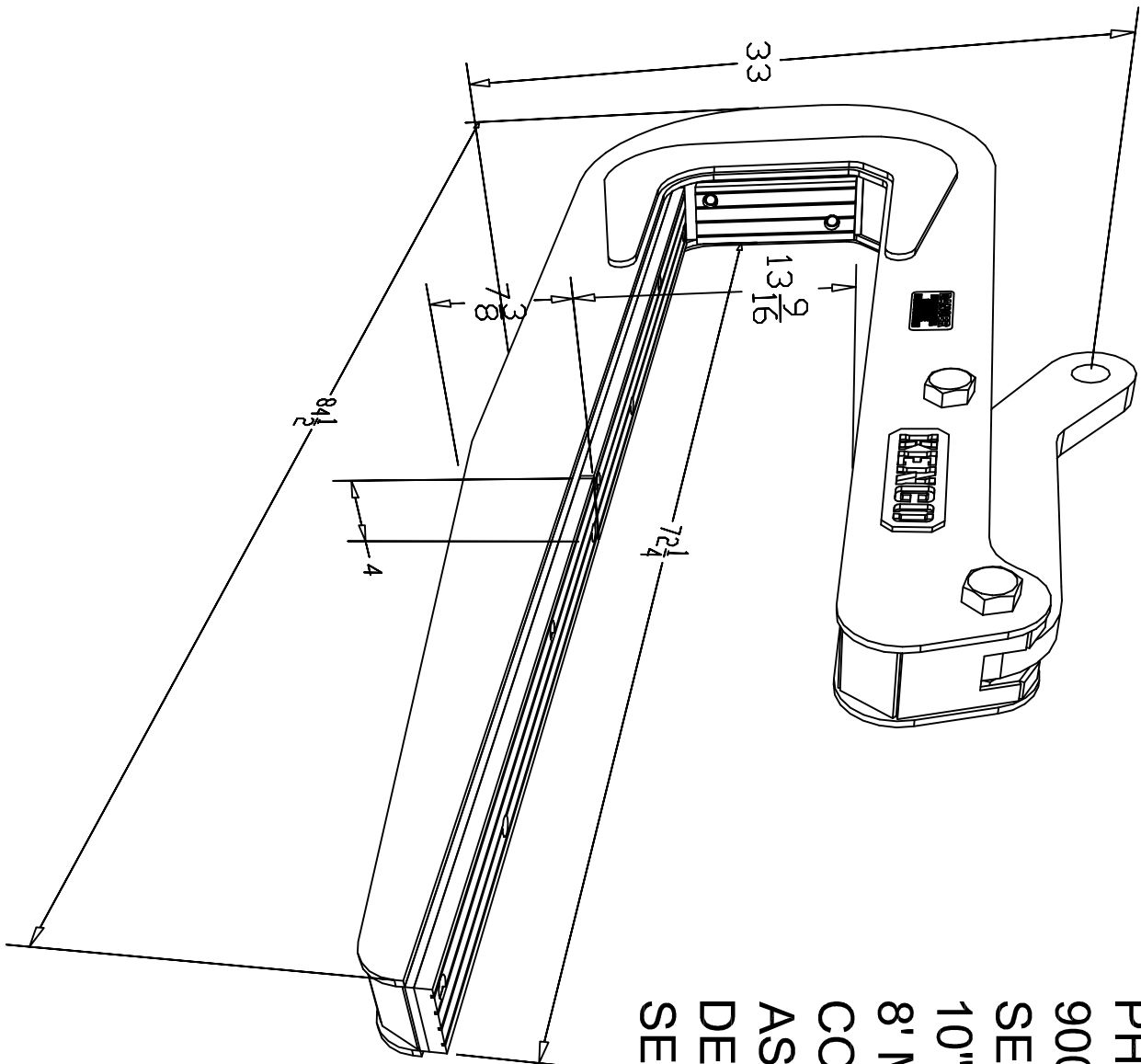
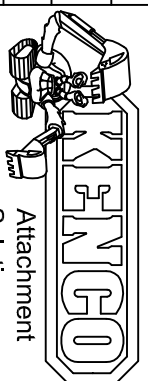


PH9000SB
9000 LB. CAP.
SELF BALANCING PIPE HOOK
10" MIN PIPE DIAMETER
8" MAX PIPE LEN.
CONFORMS TO
ASME B30.20, BTH-1
DESIGN CATEGORY B
SERVICE CLASS 3



DRAWN BY: G. CVEYKUS		KENCO CORP. 170 STATE ROUTE 271 LIGONIER PA 15658		(800)653-6069 WWW.KENCO.COM	
DATE: 3/18/2013				THE INFORMATION PROVIDED WITHIN THIS DRAWING IS THE PROPERTY OF KENCO CORP. ANY REPRODUCTION, TRANSMITTAL, OR USAGE OF ANY KIND IS PROHIBITED WITHOUT WRITTEN PERMISSION.	
		DIM. = IN.		DESCRIPTION	
		TOLERANCES:		PH9000SB	
		FRACT.: ±1/16"		GEN. DIMS.	
		ANG.: MACH ±1"		UNIT WEIGHT	
		BEND ±.1"		540 L.B.	
		DEC.: X.XX ±.03			
		X.XXX ±.01			
				REVISION	
				1	
				DWG.	
				1	