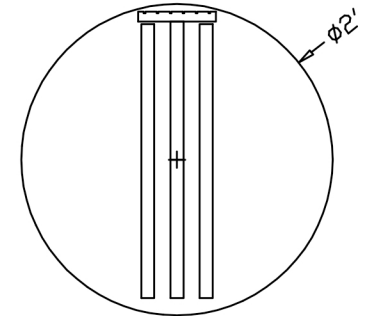
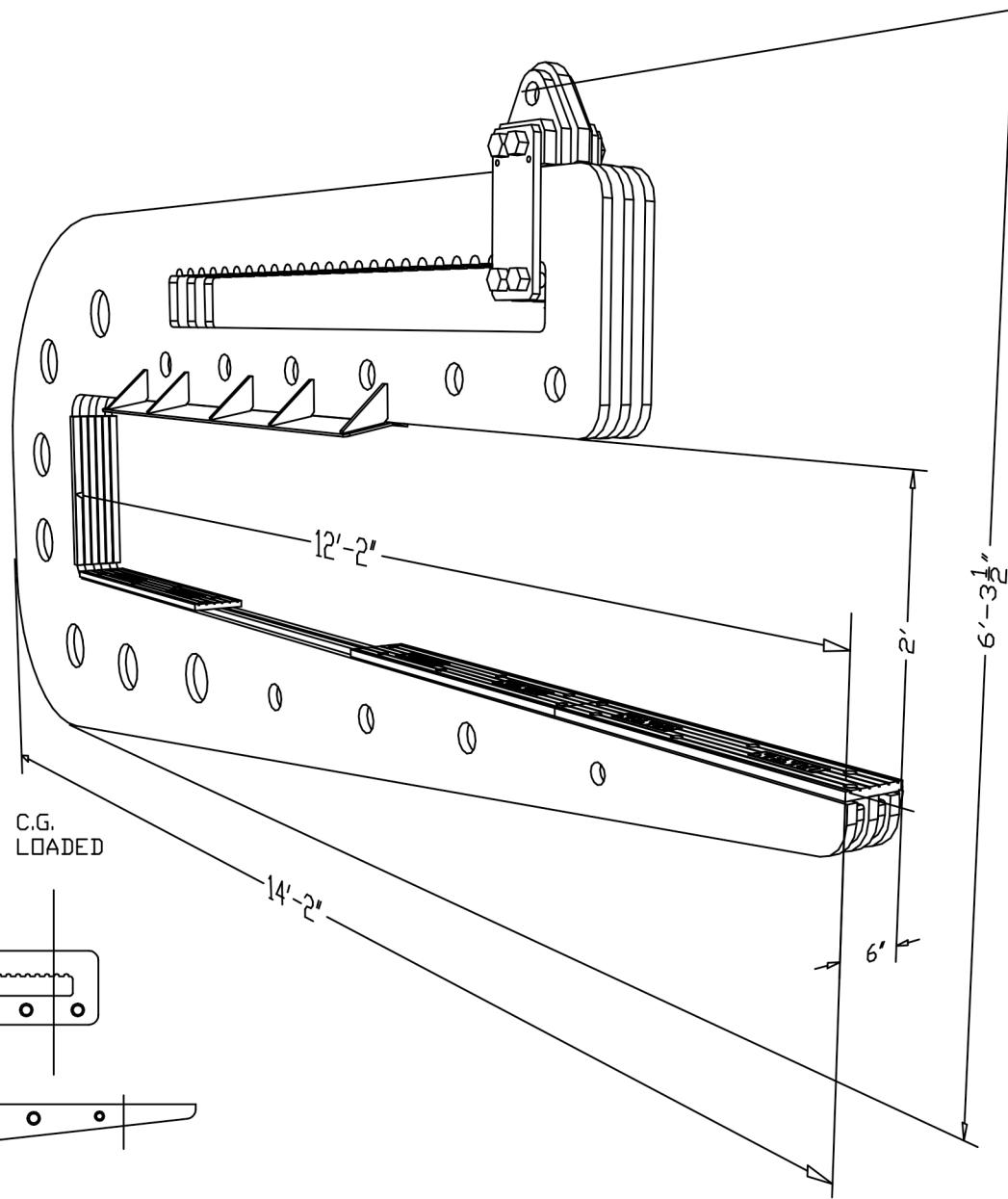


PH18000 PIPE LIFTER FOR 20' SECTIONS

- REPLACEABLE LIFT BED (3 PC. @ 6" X 36" URETHANE PADS)
- 24" MIN DIA. PIPE
- 8' TO 20' PIPE SECTIONS
- DESIGNED AND CONSTRUCTED IN ACCORDANCE WITH ASME B30.20

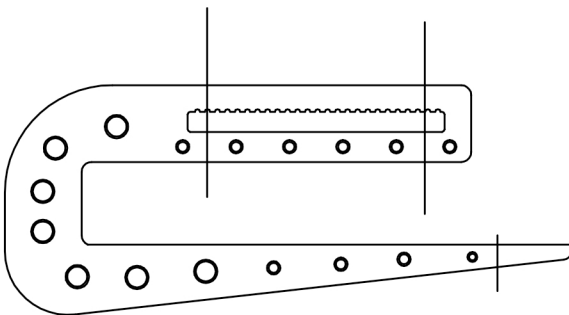



END VIEW SHOWING CLEARANCE INSIDE 24" DIA.

PROPOSAL ONLY  
SUBJECT TO CHANGE.

C.G. UNLOADED

C.G. LOADED



DRAWN BY:	 <p><b>KENCO</b> Attachment Solutions</p>	KENCO CORP. 170 STATE ROUTE 271 LIGONIER PA 15658	(800)653-6069 WWW.KENCO.COM	WEIGHT	DESCRIPTION  PH 18000 24" MIN. DIA. 8' TO 24' PIPE SECTIONS	PART NO.
G. CVEYKUS				APP. 6000 LB.		PROP.
DATE:		CAPACITY	REVISION			
7/16/2007		18000 LB.				
		THE INFORMATION PROVIDED WITHIN THIS DRAWING IS THE PROPERTY OF KENCO CORP. ANY REPRODUCTION, TRANSMITTAL, OR USAGE OF ANY KIND IS PROHIBITED WITHOUT WRITTEN PERMISSION.				