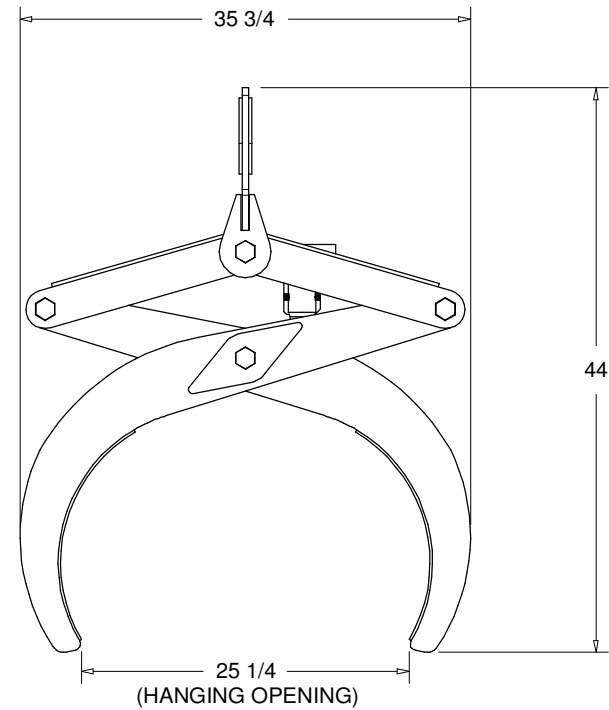


CAPACITY: 2500 LBS.  
 WEIGHT: 320 LBS.  
 MAX. PIPE O.D.: 23.0"  
 MIN. PIPE O.D.: 14.0"



KENCO CORP.  
 170 STATE ROUTE 271  
 LIGONIER PA 15658

(800)653-6069  
 WWW.KENCO.COM

THE INFORMATION PROVIDED WITHIN THIS  
 DRAWING IS THE PROPERTY OF KENCO CORP. ANY  
 REPRODUCTION, TRANSMITTAL, OR USAGE OF ANY  
 KIND IS PROHIBITED WITHOUT WRITTEN PERMISSION.

DIMS. = IN.

TOLERANCES:

FRACT.:  $\pm 1/16"$   
 ANG.: MACH  $\pm 1^\circ$   
       BEND  $\pm 1^\circ$   
 DEC.: X.XX  $\pm .03$   
       X.XXX  $\pm .01$

DESCRIPTION

PL2500  
 SPEC. SHEET

REVISION

1

DWG.

1

DRAWN BY:

T. FREIDHOFF

DATE:

9/10/12