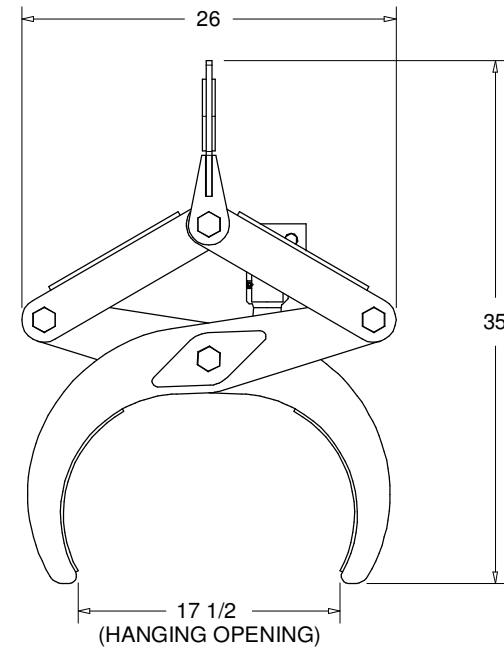


CAPACITY: 2150 LBS.
 WEIGHT: 180 LBS.
 MAX. PIPE O.D.: 15.3"
 MIN. PIPE O.D.: 10.75"



DRAWN BY:
 T. FREIDHOFF
 DATE:
 9/10/12



KENCO CORP.
 170 STATE ROUTE 271
 LIGONIER PA 15658

(800)653-6069
 WWW.KENCO.COM

THE INFORMATION PROVIDED WITHIN THIS
 DRAWING IS THE PROPERTY OF KENCO CORP. ANY
 REPRODUCTION, TRANSMITTAL, OR USAGE OF ANY
 KIND IS PROHIBITED WITHOUT WRITTEN PERMISSION.

DIMS. = IN.
 TOLERANCES:
 FRACT.: ±1/16"
 ANG.: MACH ±1°
 BEND ±1°
 DEC.: X.XX ±.03
 X.XXX ±.01

DESCRIPTION
 PL2150
 SPEC. SHEET

REVISION	
1	
DWG.	
1	