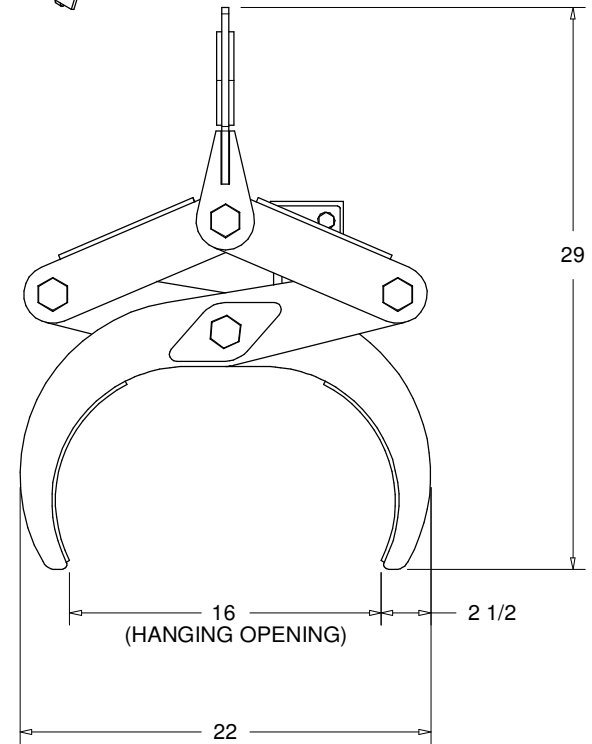


CAPACITY: 2000 LBS.  
 WEIGHT: 150 LBS  
 MAX. PIPE O.D.: 13.2"  
 MIN. PIPE O.D.: 8.63"



DRAWN BY:  
 T. FREIDHOFF  
 DATE:  
 10/26/07



KENCO CORP.  
 170 STATE ROUTE 271  
 LIGONIER PA 15658

(800)653-6069  
 WWW.KENCO.COM

THE INFORMATION PROVIDED WITHIN THIS DRAWING IS THE PROPERTY OF KENCO CORP. ANY REPRODUCTION, TRANSMITTAL, OR USAGE OF ANY KIND IS PROHIBITED WITHOUT WRITTEN PERMISSION.

DIMS. = IN.  
 TOLERANCES:  
 FRACT.: ±1/16"  
 ANG.: MACH ±1°  
       BEND ±1°  
 DEC.: X.XX ±.03  
       X.XXX ±.01

DESCRIPTION  
 PL2000  
 SPEC. SHEET

REVISION	
1	DWG.
1	