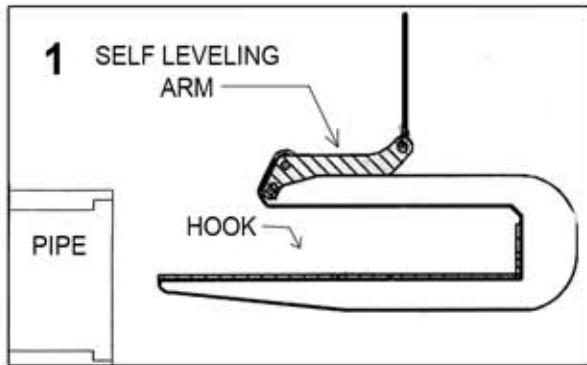
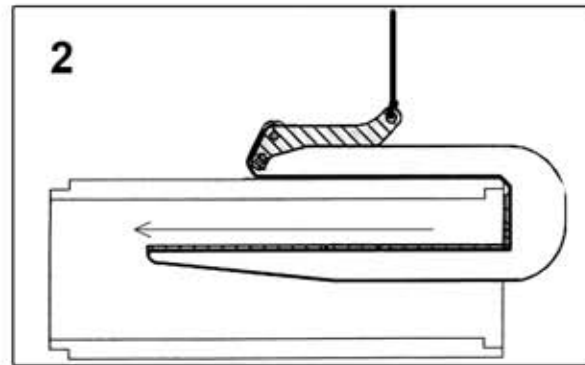


# USING THE KENCO PIPE HOOK

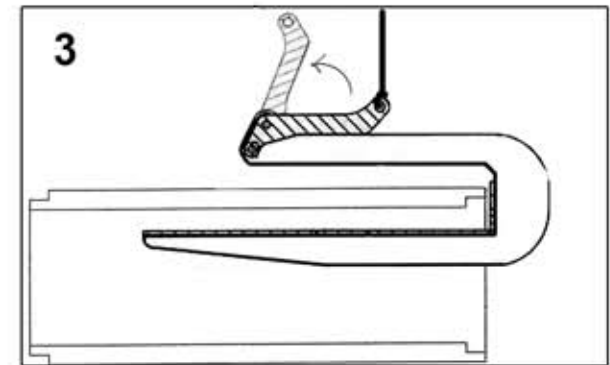
## SELF LEVELING MODEL



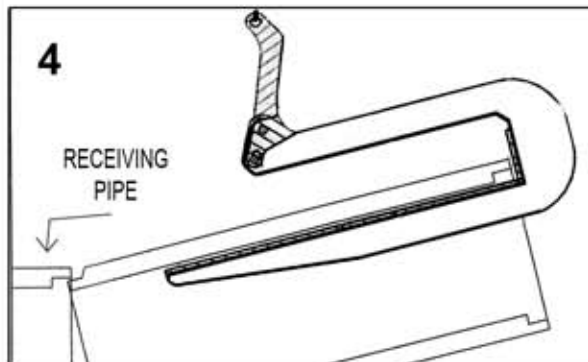
HOOK IS EMPTY



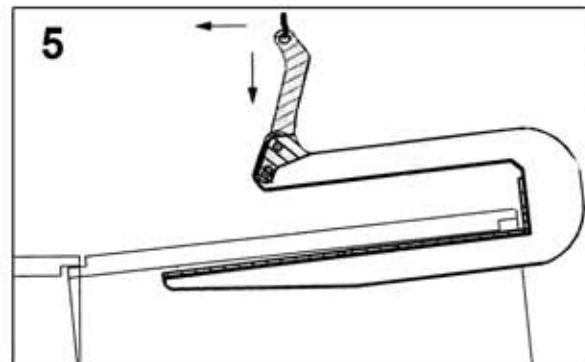
INSERT HOOK FULLY INTO PIPE



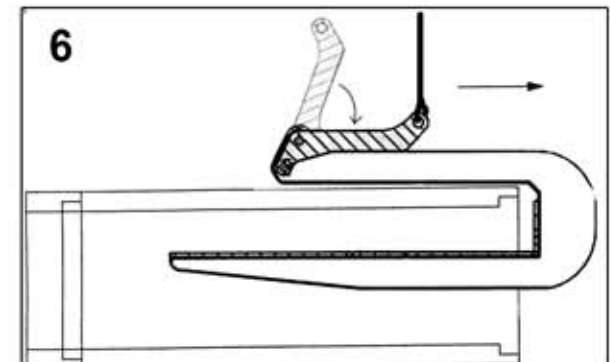
LIFT PIPE SLOWLY, ARM MOVES UP AUTOMATICALLY



GENTLY INSERT UPPER EDGE OF PIPE INTO BELL OF RECEIVING PIPE



LOWER INTO POSITION USING A DOWNWARD AND FORWARD MOTION OF THE HOOK



ONCE PIPE IS FIRMLY SEATED, LOWER THE LIFTER ONTO THE PIPE. THE ARM ROTATES DOWN AUTOMATICALLY. REMOVE THE LIFTER FROM THE PIPE.

REPEAT THIS SEQUENCE FOR EACH ADDITIONAL PIPE.

DRAWN BY:

N/A

DATE:

N/A



KENCO CORP.  
170 STATE ROUTE 271  
LIGONIER PA 15658

(800)653-6069

WWW.KENCO.COM

THE INFORMATION PROVIDED WITHIN THIS DRAWING IS THE PROPERTY OF KENCO CORP. ANY REPRODUCTION, TRANSMITTAL, OR USAGE OF ANY KIND IS PROHIBITED WITHOUT WRITTEN PERMISSION.

WEIGHT

CAPACITY

DESCRIPTION

INSTRUCTIONS  
KENCO PIPE HOOK  
ORIGINAL MODEL

PART NO.

N/A

REVISION