

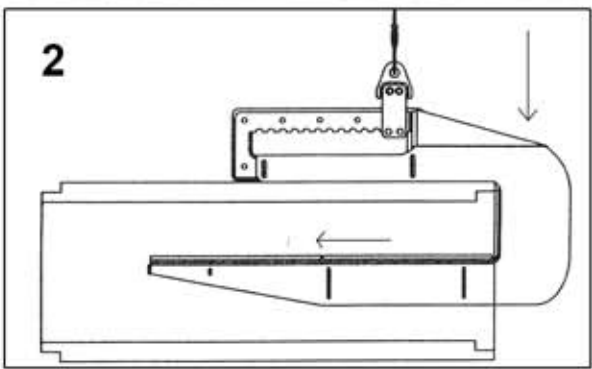
1

BAIL

HOOK

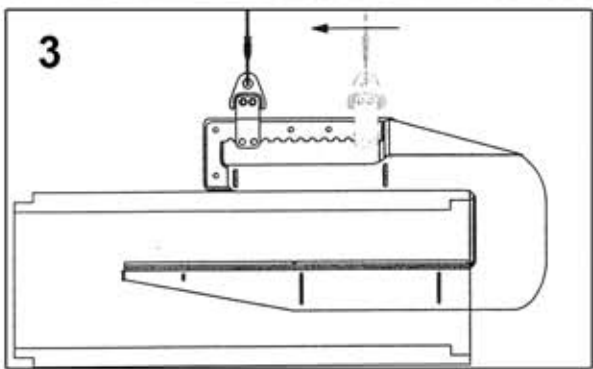
PIPE

HOOK IS EMPTY, BAIL IS SHOWN IN REAR POSITION



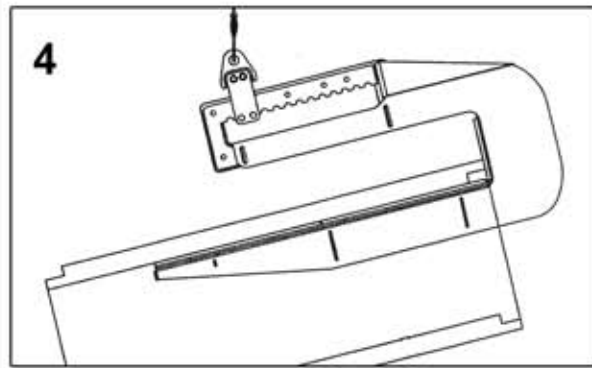
2

INSERT HOOK FULLY INTO PIPE AND LOWER ONTO PIPE



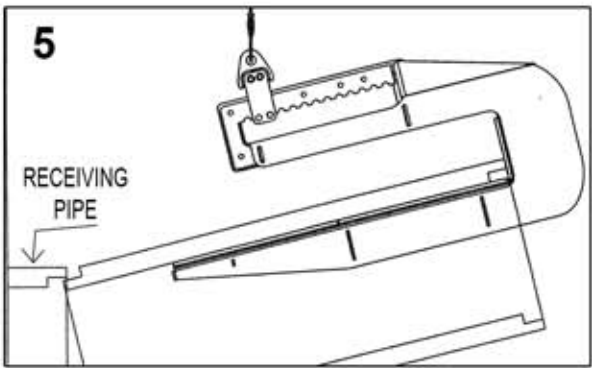
3

SLIDE BAIL FORWARD AND LIFT SLOWLY



4

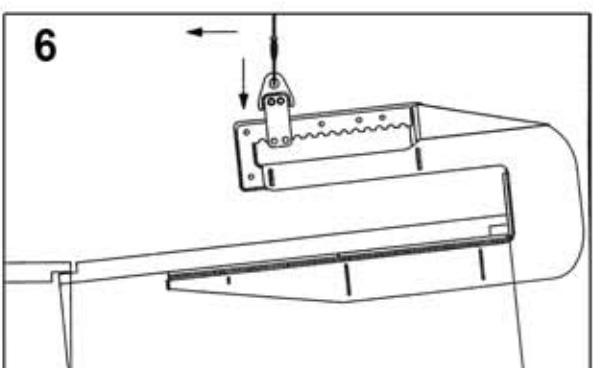
KEEP PIPE SLIGHTLY 'NOSE DOWN'. ADJUST BAIL IF NECESSARY.



5

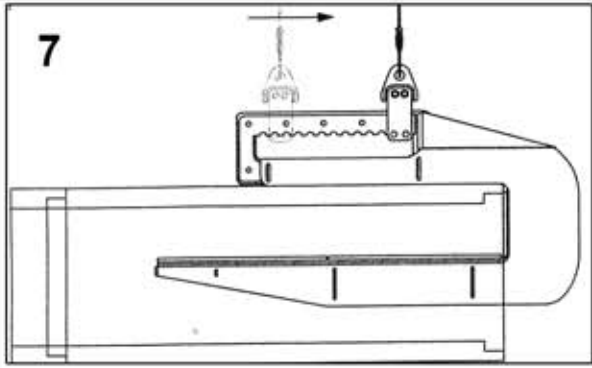
RECEIVING
PIPE

GENTLY INSERT UPPER EDGE OF PIPE INTO BELL OF RECEIVING PIPE



6

LOWER INTO POSITION USING A DOWNWARD AND FORWARD MOTION OF THE HOOK



7

ONCE PIPE IS FIRMLY SEATED, LOWER THE LIFTER ONTO THE PIPE, SLIDE THE BAIL TO THE REAR AND REMOVE IT FROM THE PIPE.

REPEAT THIS SEQUENCE FOR EACH ADDITIONAL PIPE.

USING THE KENCO PIPE HOOK ORIGINAL MODEL

DRAWN BY:
N/A
DATE:
N/A



KENCO CORP.
170 STATE ROUTE 271
LIGONIER PA 15658

(800)653-6069
WWW.KENCO.COM

THE INFORMATION PROVIDED WITHIN THIS DRAWING IS THE PROPERTY OF KENCO CORP. ANY REPRODUCTION, TRANSMITTAL, OR USAGE OF ANY KIND IS PROHIBITED WITHOUT WRITTEN PERMISSION.

WEIGHT
CAPACITY

DESCRIPTION
INSTRUCTIONS
KENCO PIPE HOOK
ORIGINAL MODEL

PART NO.
N/A
REVISION