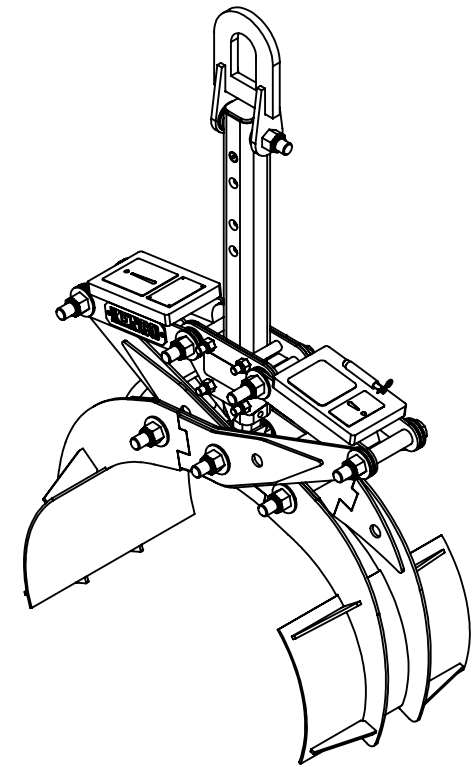
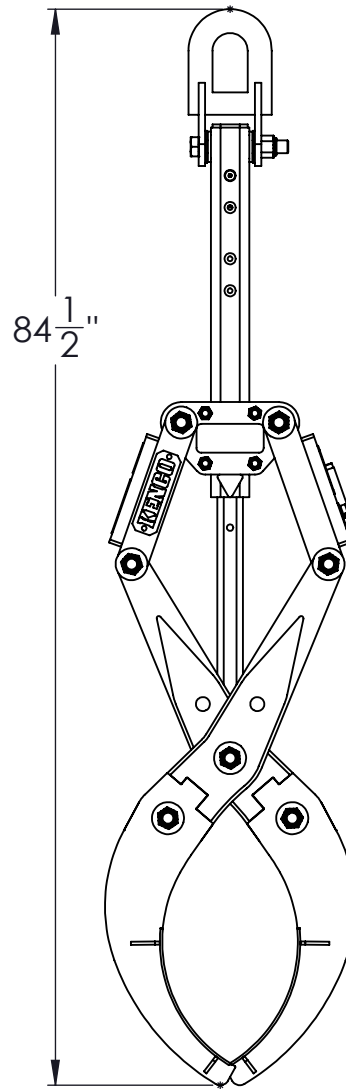
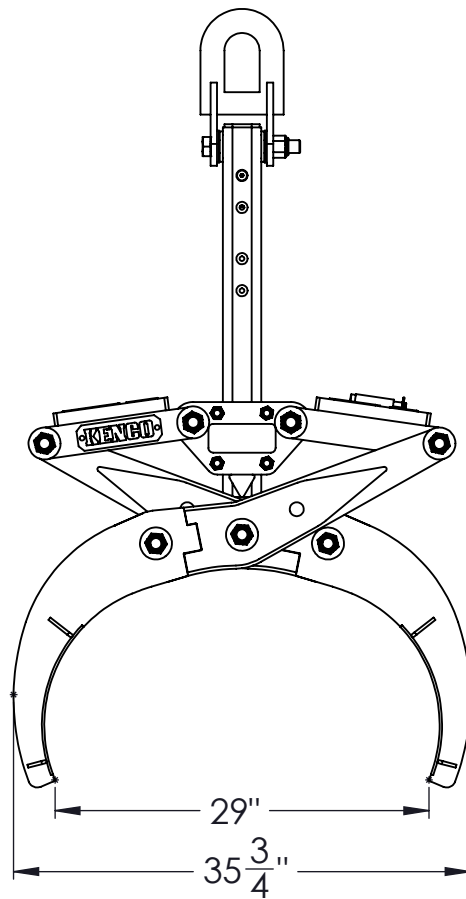
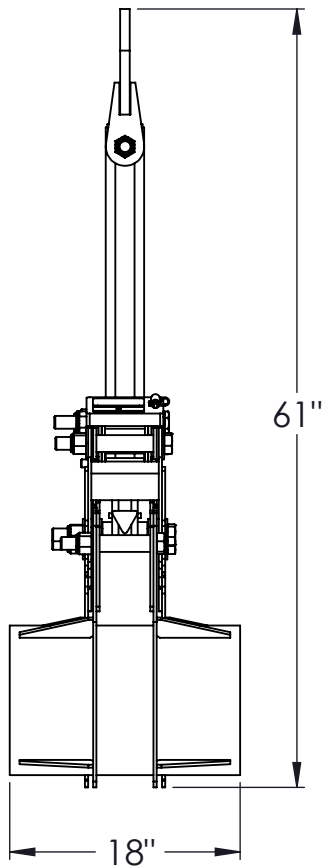


Capacity: 6,000 lbs.
 Weight: Approx. 290 lbs.
 Min. Pipe OD: 12"
 Max. Pipe OD: 22"



DRAWN BY:
 T. FREIDHOFF
 DATE:
 6/9/16



KENCO CORP.
 170 STATE ROUTE 271
 LIGONIER PA 15658
 (800)653-6069
 WWW.KENCO.COM
 THE INFORMATION PROVIDED WITHIN THIS DRAWING IS THE PROPERTY OF KENCO CORP. ANY REPRODUCTION, TRANSMITTAL, OR USAGE OF ANY KIND IS PROHIBITED WITHOUT WRITTEN PERMISSION.

DIMS. = IN.
 TOLERANCES:
 FRACT.: ±1/16
 ANG.: MACH±1°
 BEND ±1°
 DEC.: X.XX ±.03
 X.XXX ±.01

DESCRIPTION
 SL6K
 Small Pipe Tine
 PL12T22
 Spec. Sheet

REVISION	
1	xxxxxx
DWG.	
XX	