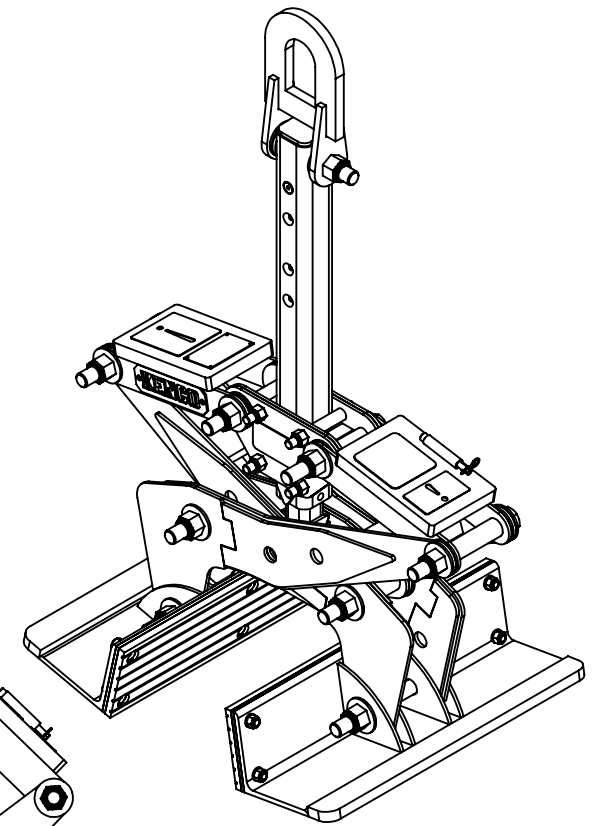
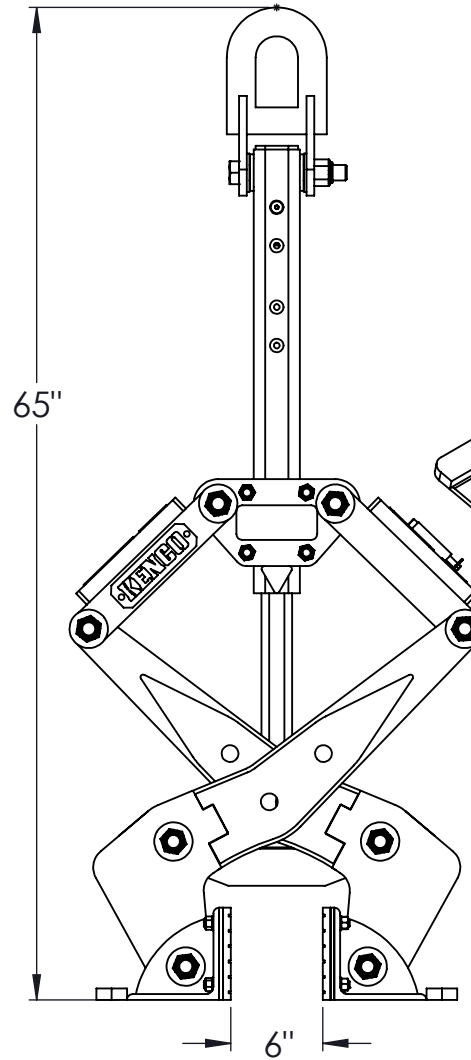
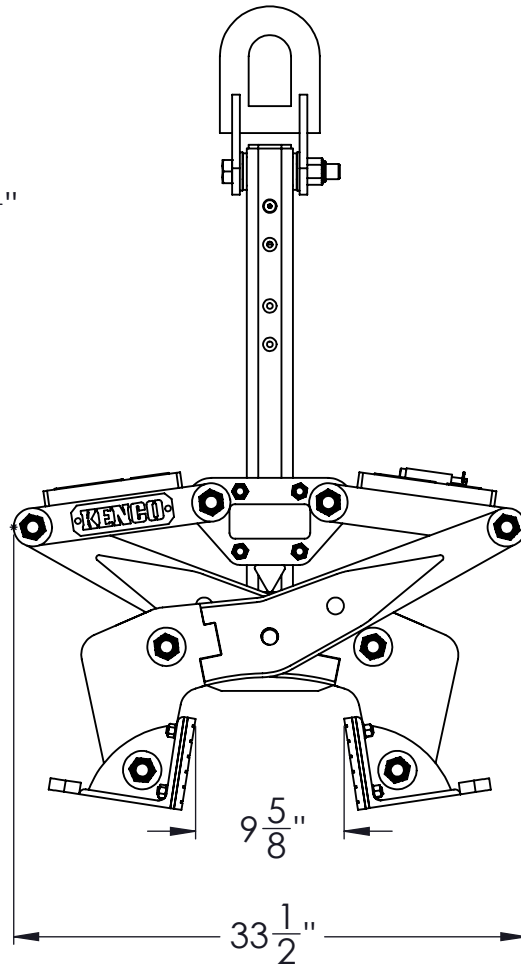
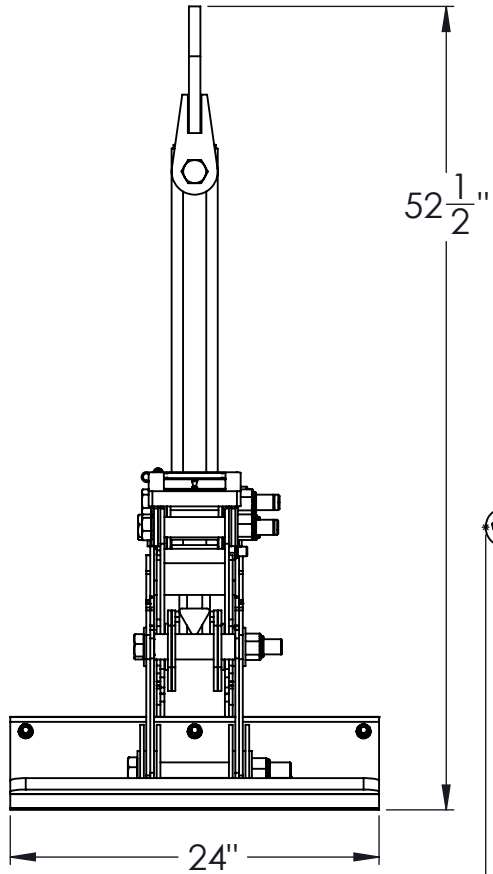


Capacity: 6,000 lbs.  
 Weight: Approx. 385 lbs.  
 Min. Wall Top: 6"  
 Max. Wall Top: 9"



DRAWN BY:	T. FREIDHOFF
DATE:	6/9/16



KENCO CORP.  
 170 STATE ROUTE 271  
 LIGONIER PA 15658

(800)653-6069  
 WWW.KENCO.COM

THE INFORMATION PROVIDED WITHIN THIS DRAWING IS THE PROPERTY OF KENCO CORP. ANY REPRODUCTION, TRANSMITTAL, OR USAGE OF ANY KIND IS PROHIBITED WITHOUT WRITTEN PERMISSION.

DIMS. = IN.

TOLERANCES:  
 FRACT.: ±1/16  
 ANG.: MACH±1°  
 BEND ±1°  
 DEC.: X.XX ±.03  
 X.XXX ±.01

DESCRIPTION

SL6K  
 KL6T9 Barrier Tine  
 Spec. Sheet

REVISION	
1	xxxxxx
DWG.	
XX	