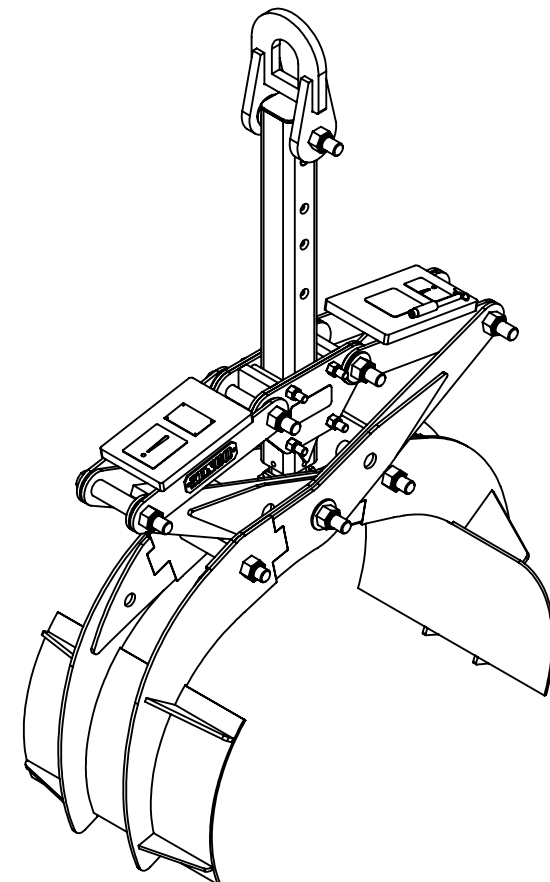
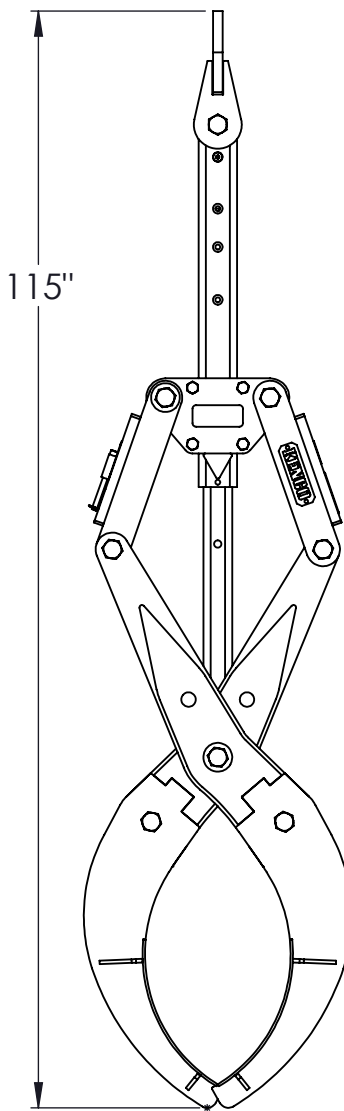
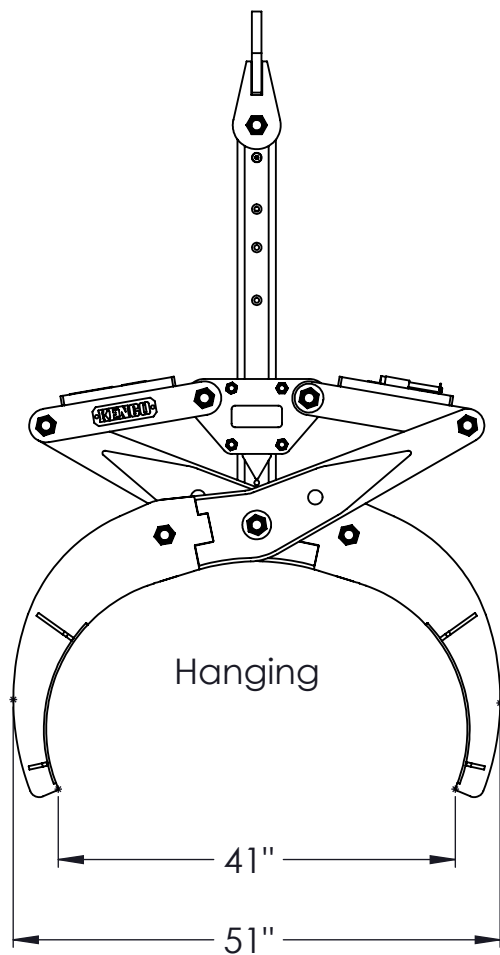
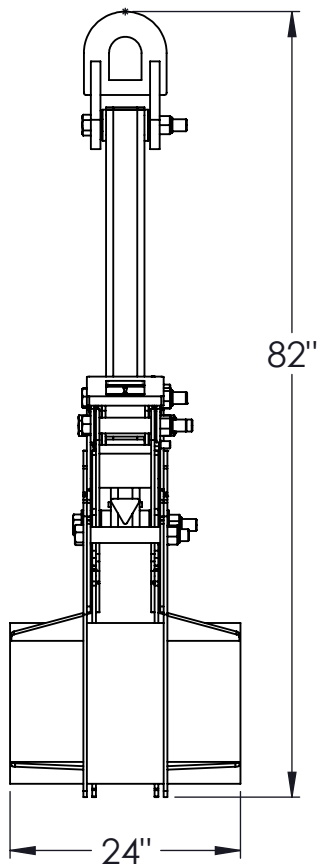


Capacity: 12,000 lbs.
 Weight: Approx. 725 lbs.
 Min. Pipe OD: 15"
 Max. Pipe OD: 31.5"



| | |
|-----------|--------------|
| DRAWN BY: | T. FREIDHOFF |
| DATE: | 5/4/16 |



KENCO CORP.
 170 STATE ROUTE 271
 LIGONIER PA 15658

(800)653-6069
 WWW.KENCO.COM

THE INFORMATION PROVIDED WITHIN THIS DRAWING IS THE PROPERTY OF KENCO CORP. ANY REPRODUCTION, TRANSMITTAL, OR USAGE OF ANY KIND IS PROHIBITED WITHOUT WRITTEN PERMISSION.

| |
|-----------------|
| DIMS. = IN. |
| TOLERANCES: |
| FRACT.: ±1/16 |
| ANG.: MACH±1° |
| BEND ±1° |
| DEC.: X.XX ±.03 |
| X.XXX ±.01 |

| |
|-------------------------------|
| DESCRIPTION |
| SL12K-PL15T31.5 Spec Sheet |

| REVISION | |
|----------|--------|
| 1 | xxxxxx |
| DWG. | |
| XX | |