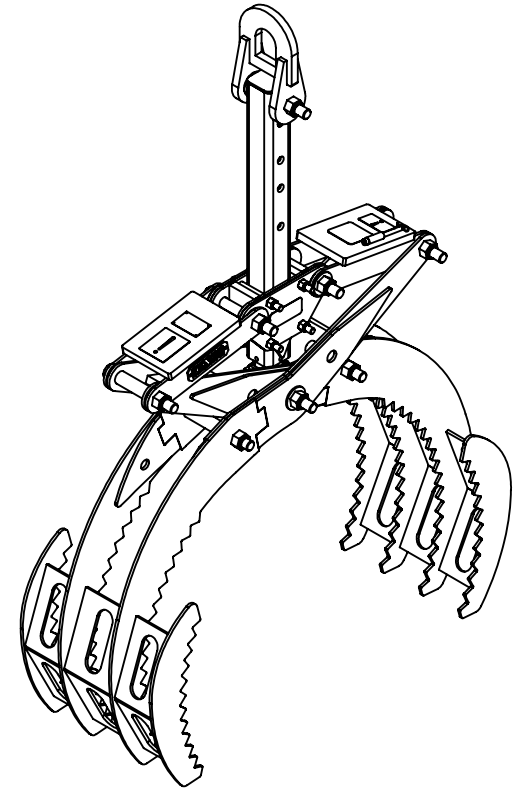
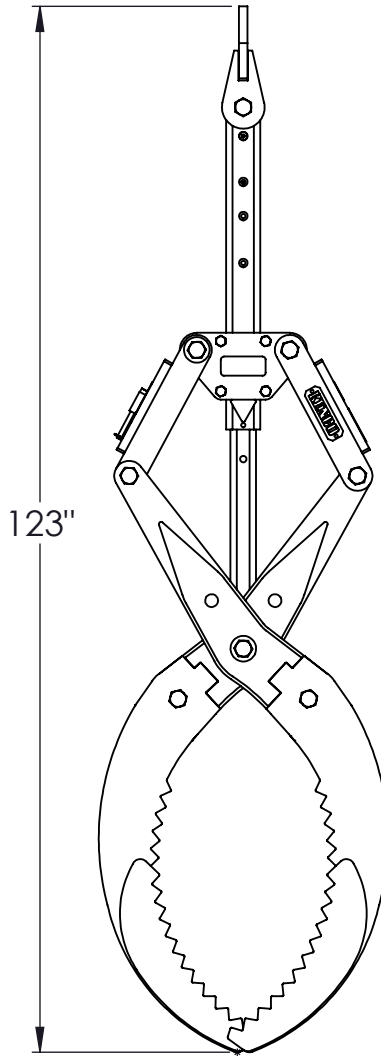
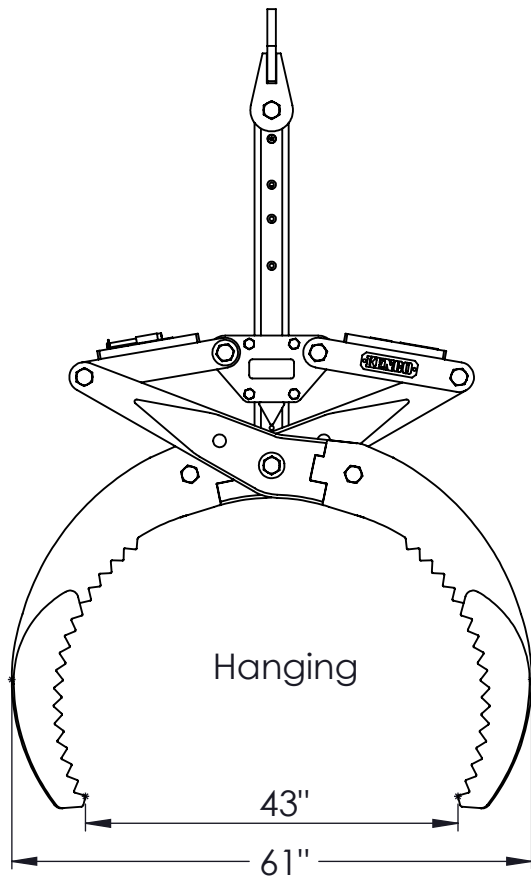
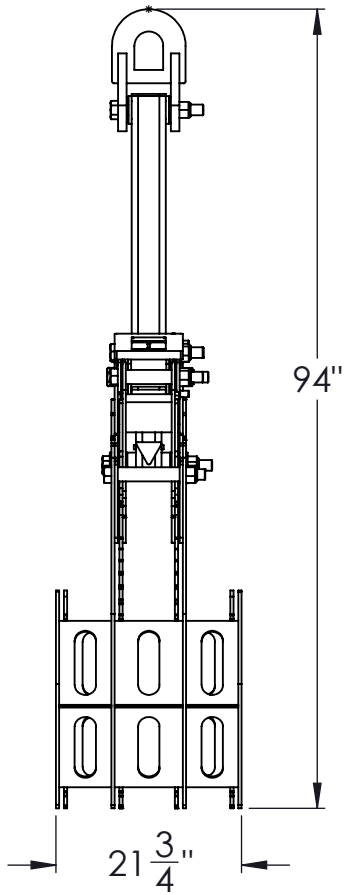


Capacity: 12,000 lbs.
 Weight: Approx. 800 lbs.
 Range: Up to 42" and Loose Debris



DRAWN BY:
 T. FREIDHOFF
 DATE:
 5/5/16



KENCO CORP.
 170 STATE ROUTE 271
 LIGONIER PA 15658
 (800)653-6069
 WWW.KENCO.COM
 THE INFORMATION PROVIDED WITHIN THIS DRAWING IS THE PROPERTY OF KENCO CORP. ANY REPRODUCTION, TRANSMITTAL, OR USAGE OF ANY KIND IS PROHIBITED WITHOUT WRITTEN PERMISSION.

DIMS. = IN.
 TOLERANCES:
 FRACT.: ±1/16
 ANG.: MACH±1°
 BEND ±1°
 DEC.: X.XX ±.03
 X.XXX ±.01

DESCRIPTION
 SL12K-Log/Debris Lift
 Spec. Sheet

REVISION	
1	xxxxxx
DWG.	
XX	