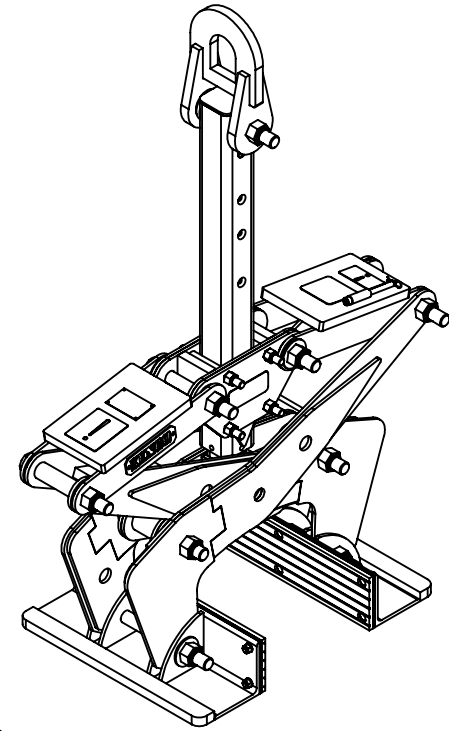
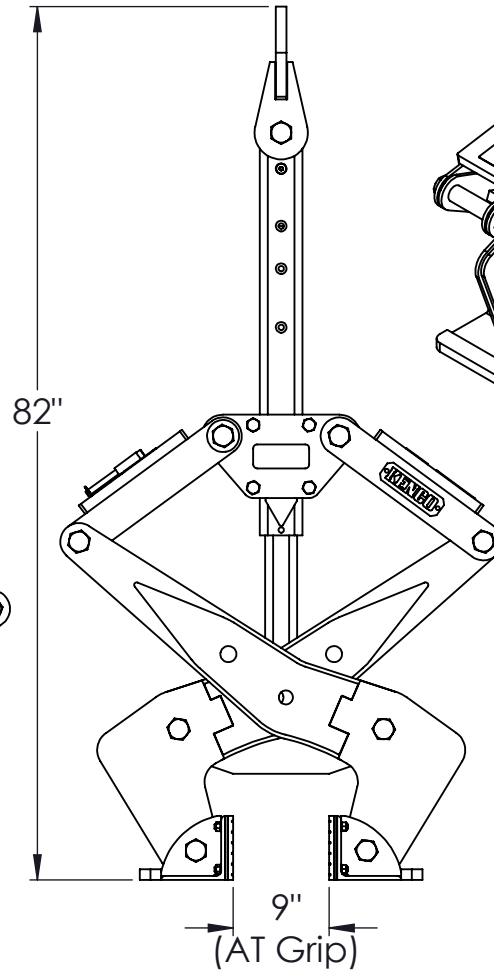
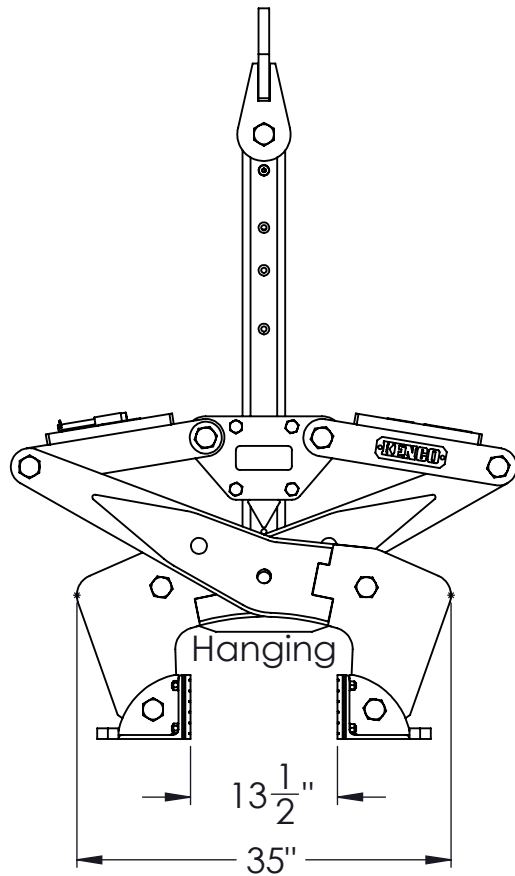
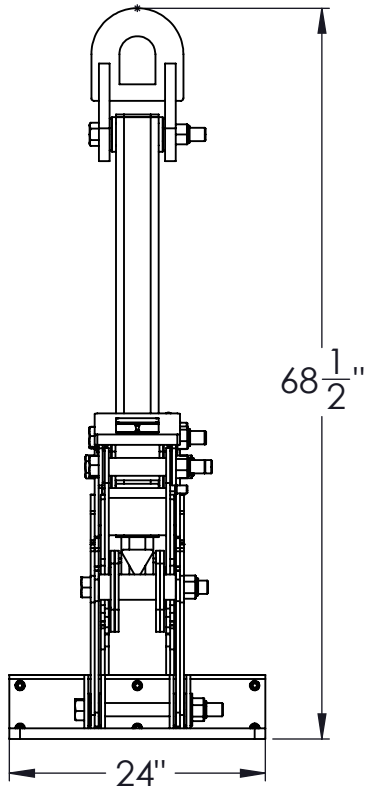


Capacity: 12,000 lbs.  
 Weight: Approx. 820 lbs.  
 Usage: Barrier Wall 9" to 12" Top  
 Pad Size: 6"x24"



DRAWN BY:  
 T. FREIDHOFF  
 DATE:  
 5/5/16



KENCO CORP.  
 170 STATE ROUTE 271  
 LIGONIER PA 15658

(800)653-6069  
 WWW.KENCO.COM

THE INFORMATION PROVIDED WITHIN THIS DRAWING IS THE PROPERTY OF KENCO CORP. ANY REPRODUCTION, TRANSMITTAL, OR USAGE OF ANY KIND IS PROHIBITED WITHOUT WRITTEN PERMISSION.

DIMS. = IN.  
 TOLERANCES:  
 FRACT.: ±1/16  
 ANG.: MACH±1°  
 BEND ±1°  
 DEC.: X.XX ±.03  
 X.XXX ±.01

DESCRIPTION

SL12K-KL9T12  
 Spec. Sheet

REVISION	
1	xxxxxx
DWG.	
XX	