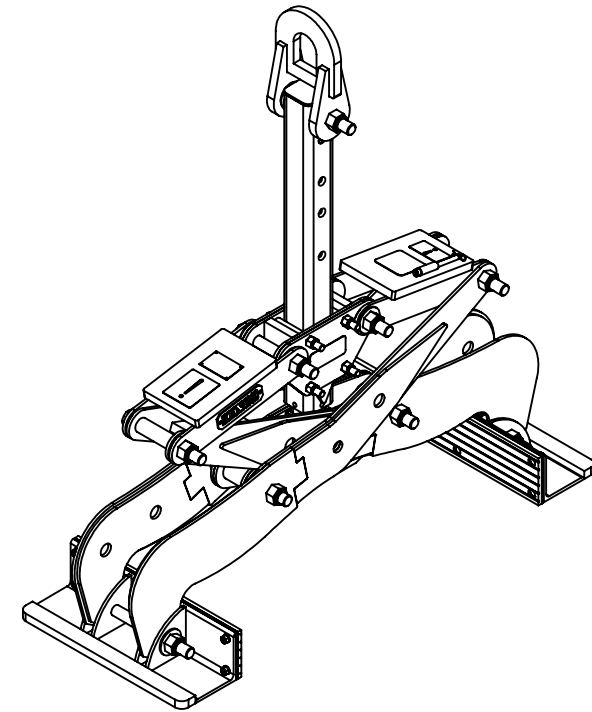
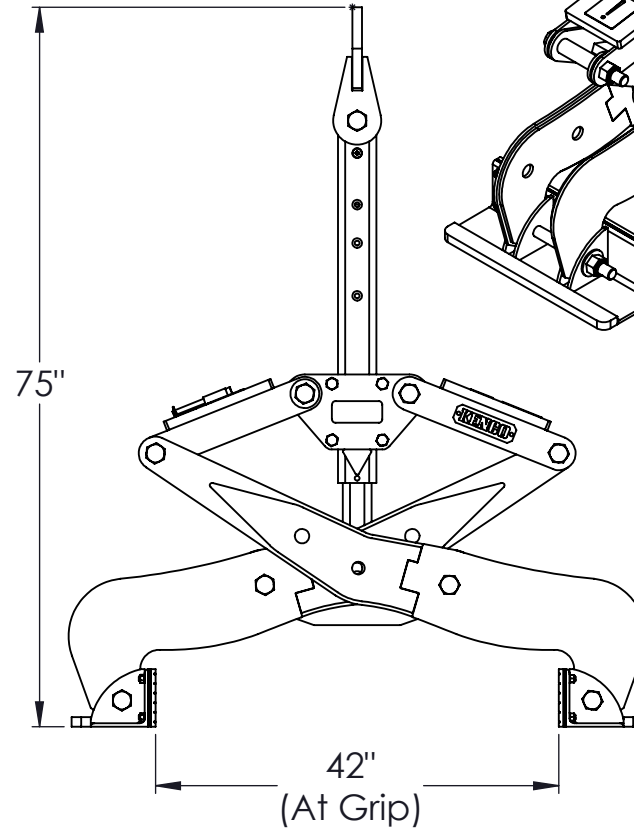
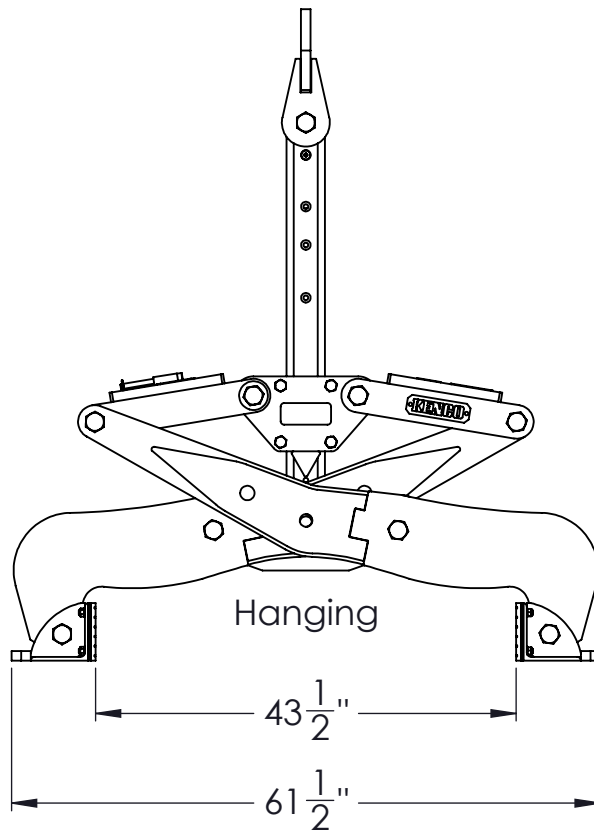
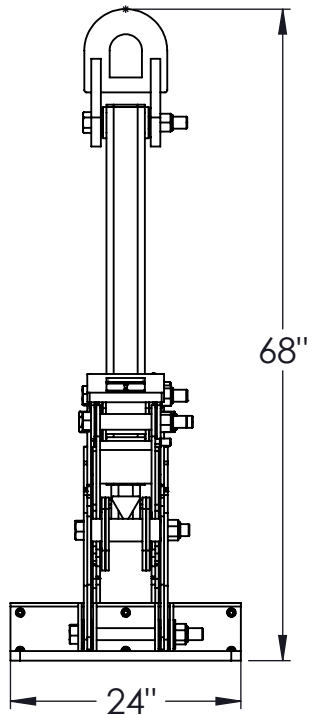


Capacity: 12,000 lbs.
 Weight: Approx. 900 lbs.
 Usage: 42" Wide Blocks Only (No Range)
 Pad Size 6"x24"



DRAWN BY:
T. FREIDHOFF
DATE:
5/5/16



KENCO CORP.
170 STATE ROUTE 271
LIGONIER PA 15658
(800)653-6069
WWW.KENCO.COM
THE INFORMATION PROVIDED WITHIN THIS DRAWING IS THE PROPERTY OF KENCO CORP. ANY REPRODUCTION, TRANSMITTAL, OR USAGE OF ANY KIND IS PROHIBITED WITHOUT WRITTEN PERMISSION.

DIMS. = IN.
TOLERANCES:
FRACT.: ±1/16
ANG.: MACH±1°
BEND ±1°
DEC.: X.XX ±.03
X.XXX ±.01

DESCRIPTION
SL12K-BL42
Spec. Sheet

REVISION	
1	xxxxxx
DWG.	
XX	