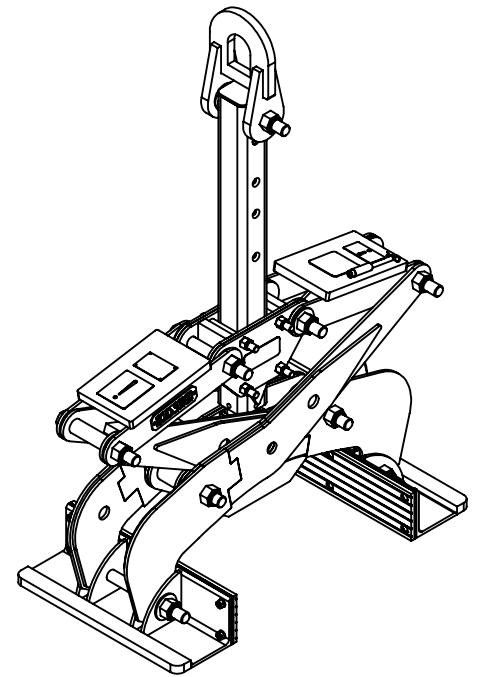
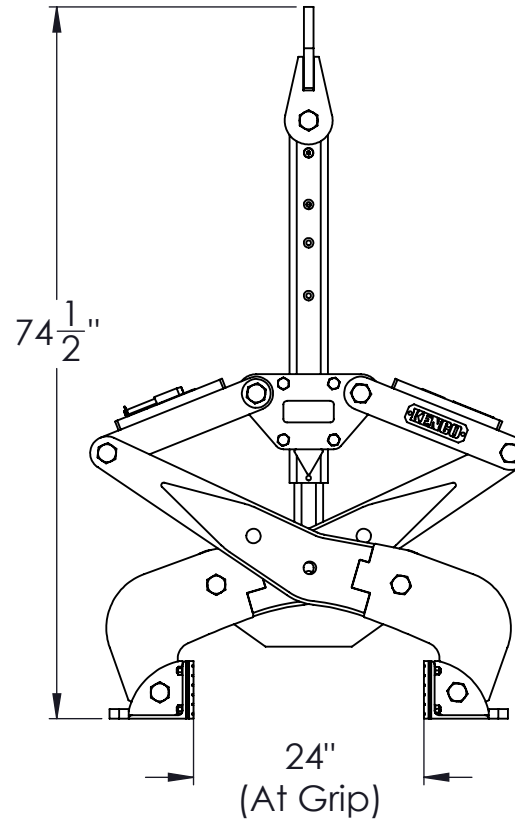
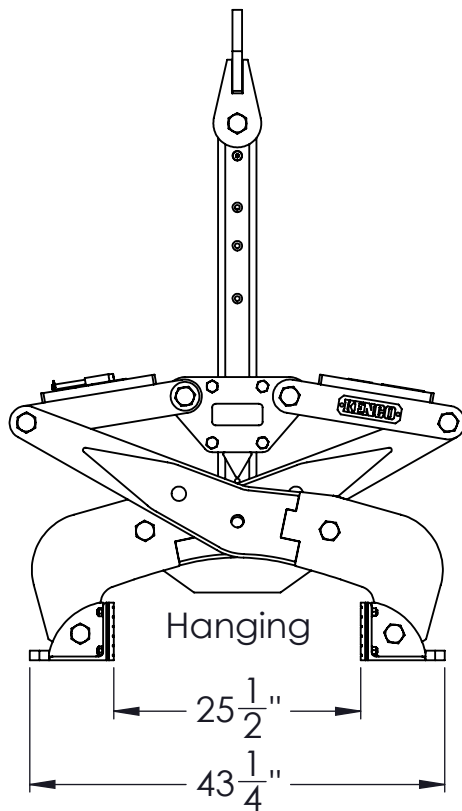
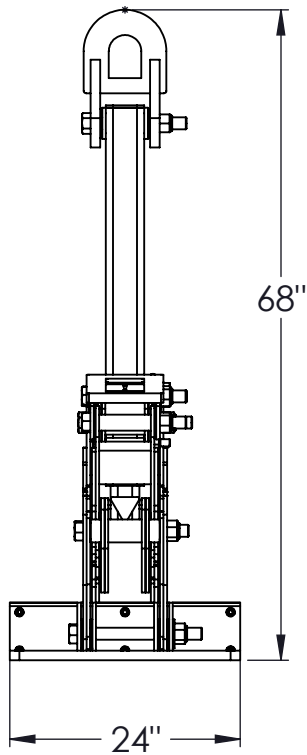


Capacity: 12,000 lbs.  
 Weight: Approx. 850 lbs.  
 Useage: 24" Wide Blocks Only (No Range)  
 Pad Size: 6"x24"



DRAWN BY:  
 T. FREIDHOFF  
 DATE:  
 5/5/16



KENCO CORP.  
 170 STATE ROUTE 271  
 LIGONIER PA 15658  
 THE INFORMATION PROVIDED WITHIN THIS  
 DRAWING IS THE PROPERTY OF KENCO CORP. ANY  
 REPRODUCTION, TRANSMITTAL, OR USAGE OF ANY  
 KIND IS PROHIBITED WITHOUT WRITTEN PERMISSION.

(800)653-6069  
 WWW.KENCO.COM

DIMS. = IN.  
 TOLERANCES:  
 FRACT.: ±1/16  
 ANG.: MACH±1°  
 BEND ±1°  
 DEC.: X.XX ±.03  
 X.XXX ±.01

DESCRIPTION  
 SL12K-BL24  
 Spec. Sheet

REVISION	
1	xxxxxx
DWG.	
XX	