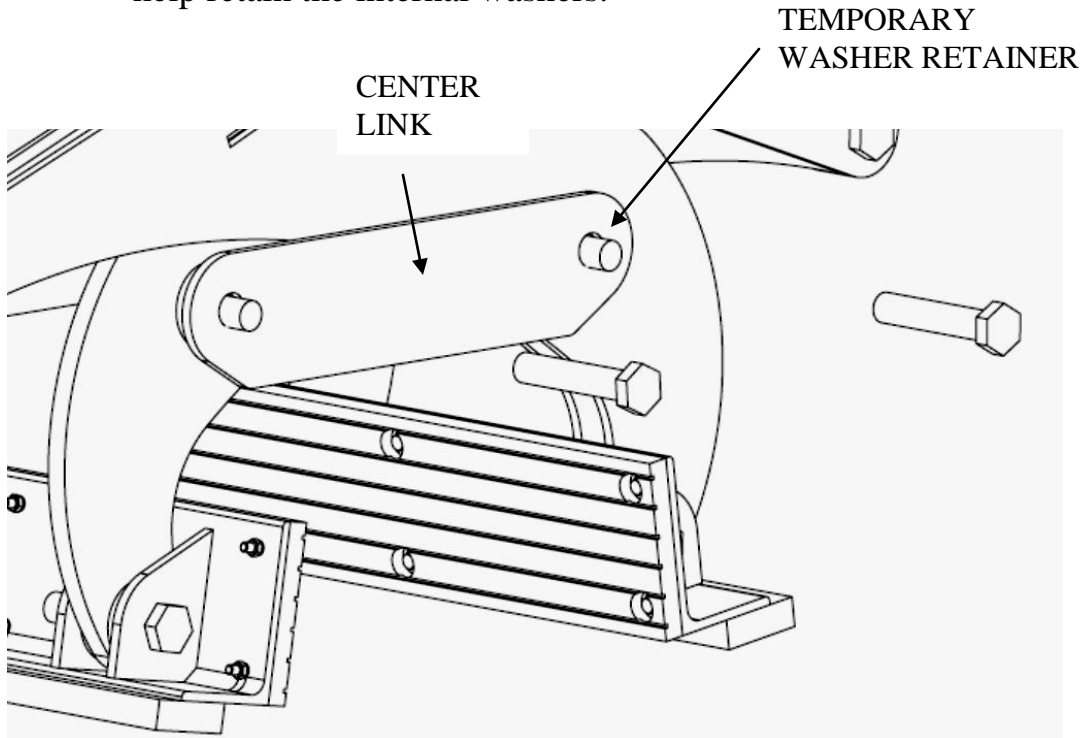
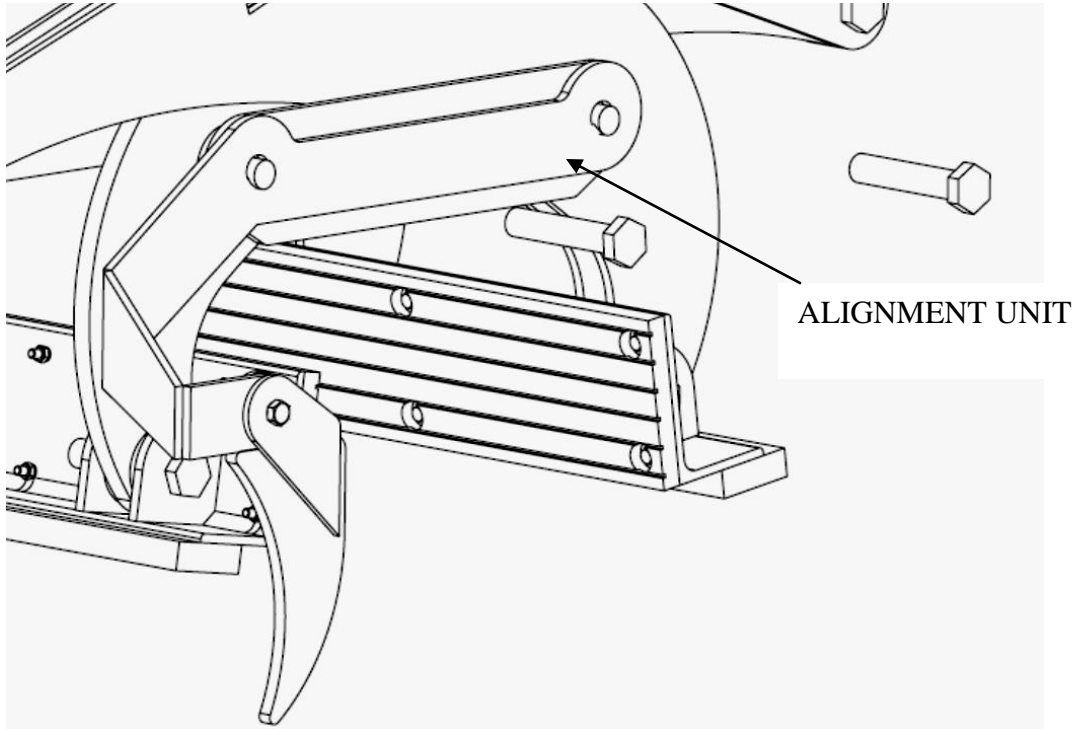


## Alignment Leg Installation Procedure

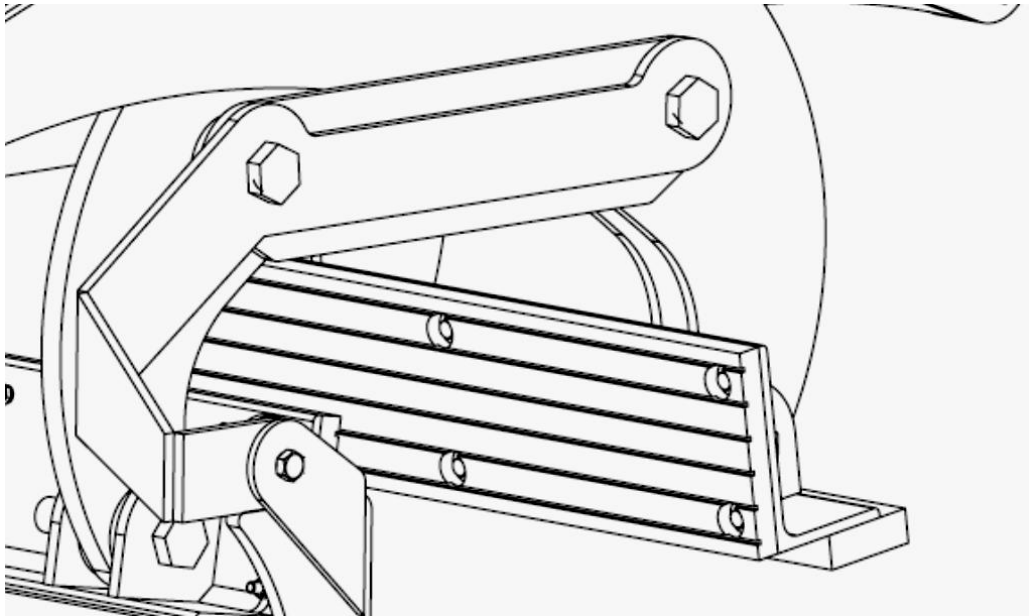
1. Remove the bolts holding the center link on one side of the lifter
  - a. Remove the bolts while inserting an object of equal diameter to help retain the internal washers.



2. Install the alignment unit as shown below while ensuring the temporary washer retainers line up with the alignment unit's corresponding holes.



3. Replace the temporary washer retainers with the original nuts and bolts.



4. Repeat steps 1-3 to install the second alignment leg unit.

