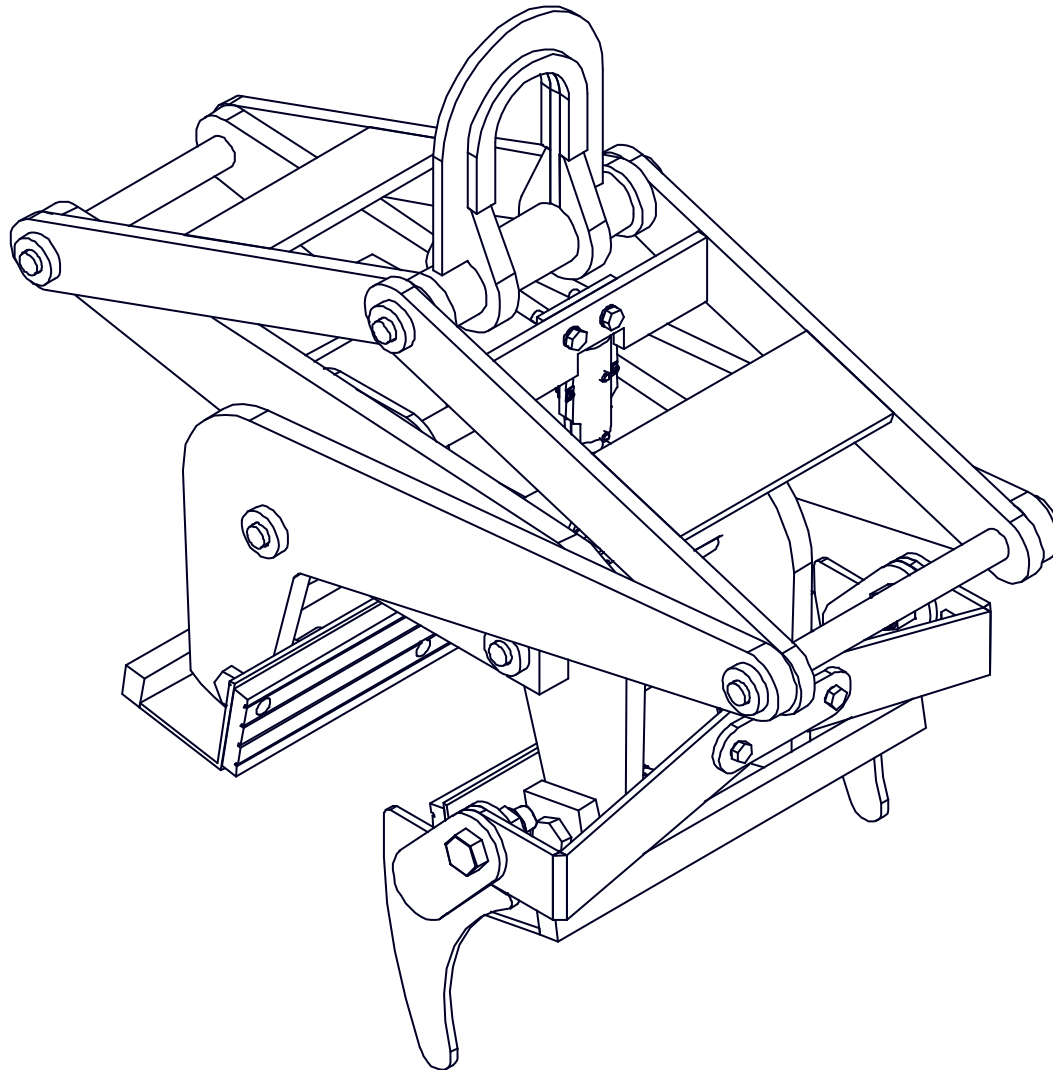
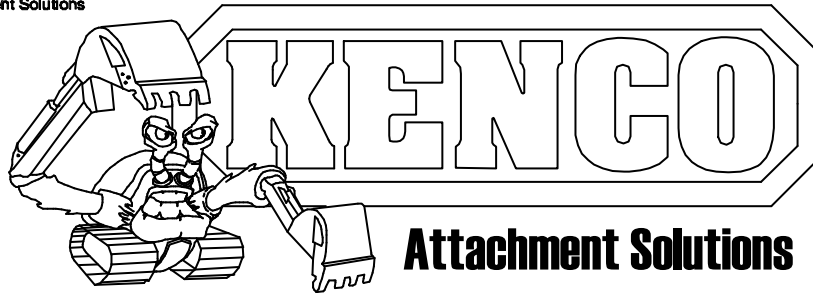




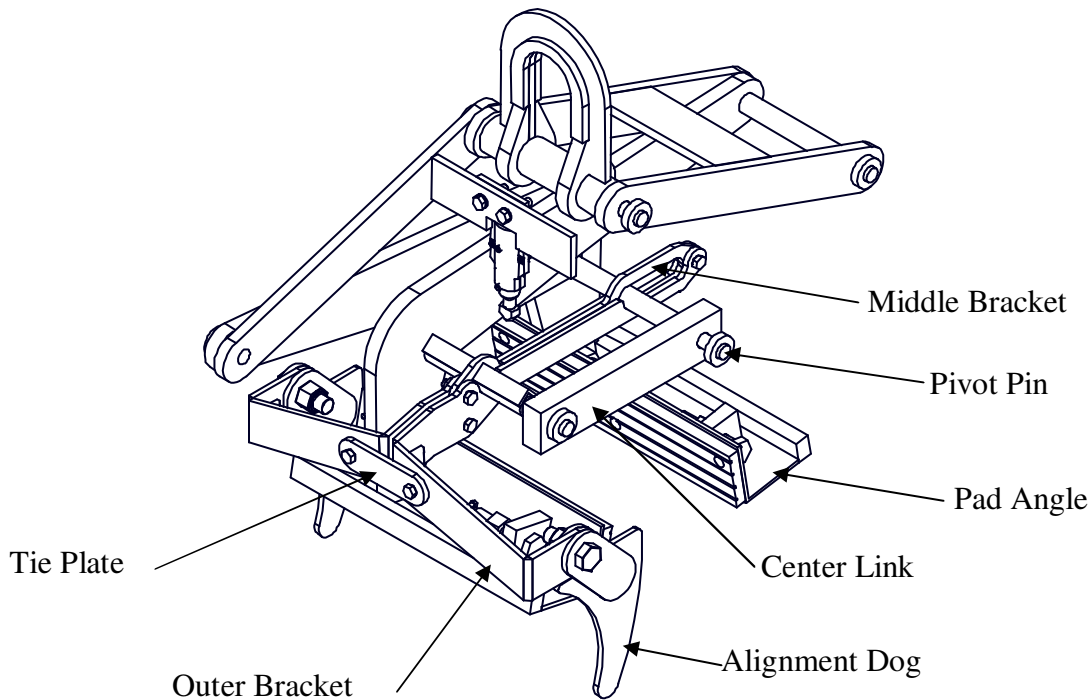
170 State Route 271  
Ligonier, PA 15658  
1-800-653-6069



# **Barrier Lift**

## **Alignment Leg Installation Instructions**

## Section I. Identification of Major Components



Note: Nearest arms and Legs removed for clarity

## Section II. Installation and Assembly

1. Disassemble the alignment leg assembly by removing the Tie Plate and separating the Outer Brackets from the Middle Bracket.
2. Suspend the lifter.
3. Slide the middle bracket through the lifter on top of the center-link pivot pins with the slots facing down, capturing the pivot pins.
4. Slide the long end of the L-shaped outer brackets through the lifter, under the center-link pivot pins with the slots facing up. (Place one outer bracket on each side of the middle bracket. All slots and bolt holes must line up with each other.)
5. Lift the outer brackets (on the long slotted end) lining up the bolt holes on the middle and outer brackets. Install the bolt sandwiching the middle bracket between the outers. Lift the outer brackets on the opposite end lining up the holes and install the remaining 2 bolts. (Note: Pivot pins should be captured by slots and resting in angles on middle bracket.)
6. Locate the tie plate on the short legs of the outer brackets and bolt together.